

# TM-WB OWNERS MANUAL



[www.visionaudiovisual.com/techmount/tm-wb](http://www.visionaudiovisual.com/techmount/tm-wb)

## DECLARATION OF CONFORMITY

Where applicable Vision products are certified and comply with all known local regulations to a 'CB Certification' standard. Vision commits to ensure all products are fully compliant with all applicable certification standards for sale in the EU and other participating countries.

The product described in this owner manual is in compliance with RoHS (EU directive 2002/95/EC), and WEEE (EU directive 2002/96/EC) standards. This product should be returned to the place of purchase at the end of its useful life for recycling.

## WARNINGS

During installation take care to adhere to workplace health and safety laws:

- Do not cut or drill any parts above head height. This should all be done using the correct safety equipment at floor level.
- Avoid overstretching which might result in the ladder tipping over.
- SWL (safe working load): Projector: 10kg, Whiteboard / Flat Panel: 50kg
- Ensure it is installed in an appropriate place – for example not obstructing an emergency exit.



### **IN THE LOWEST POSITION THE BOOM AND PROJECTOR CAN PRESENT A HEAD HEIGHT HAZARD**

- Check stability after installation.
- Installation must be done by a specialist audio-visual installer
- Allow 500mm x 500mm space around the bracket.
- Avoid installing in a moist environment, or in direct sunshine, or near corrosive gas or liquid.
- Routing of cables through the bracket must comply with local regulations.



### **ENSURE POWER CABLE IS NOT TWISTED, SQUEEZED, OR SHEARED!**






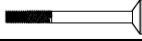





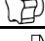






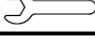

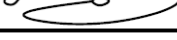



All products are designed and imported into the EU by 'Vision' who is wholly owned by 'Azlan Logistics Ltd.', Registered in England Nr. 04625566 at Lion House, 4 Pioneer Business Park, Clifton Moor, York, YO30 4GH. WEEE Registration: GD0046SY



## DECLARATION OF ORIGIN

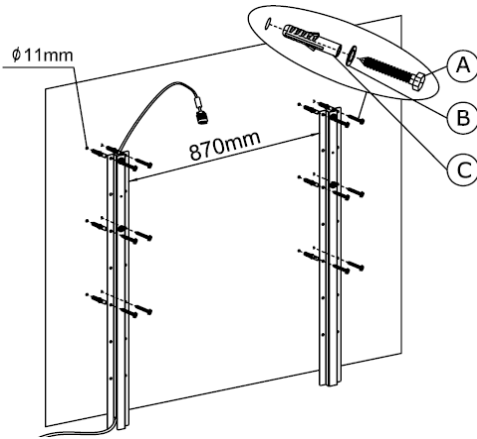
All Vision products are made in the People's Republic of China (PRC).

## ACCESSORIES

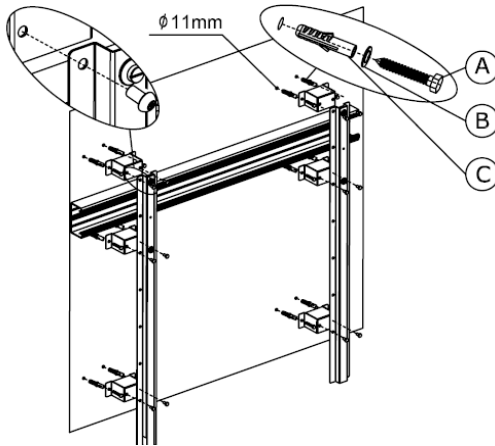
|     |           |   |     |
|-----|-----------|---|-----|
| (A) | ST8×45mm  |    | ×12 |
| (B) | ∅8        |    | ×12 |
| (C) | ∅10×50mm  |    | ×12 |
| (D) | M6×12mm   |    | ×6  |
| (E) | M6×30mm   |    | ×4  |
| (F) | M6×100mm  |    | ×1  |
| (G) | M6×60mm   |    | ×2  |
| (H) | ∅6        |    | ×4  |
| (I) | ∅6        |    | ×4  |
| (J) | M6×8mm    |    | ×1  |
| (K) | M6×36mm   |    | ×2  |
| (L) |           |    | ×12 |
| (M) | M2.5×40mm |    | ×4  |
| (N) | M3×40mm   |    | ×4  |
| (O) | M4×40mm   |    | ×4  |
| (P) | M5×40mm   |    | ×4  |
| (Q) | M6×40mm   |   | ×4  |
| (R) |           |  | ×4  |
| (S) |           |  | ×1  |
| (T) |           |  | ×1  |
| (U) |           |  | ×1  |
| (V) |           |  | ×4  |
| (W) | M8×20mm   |  | ×26 |
| (H) | ∅8        |  | ×2  |

## INSTALLATION

1. ATTACH LEGS TO WALL Use spirit level to ensure legs are plumb. Route cables at same time.



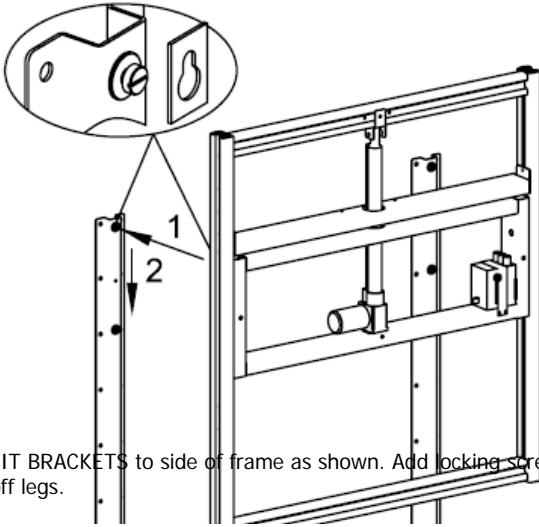
### ALTERNATIVE USING STAND-OFFS



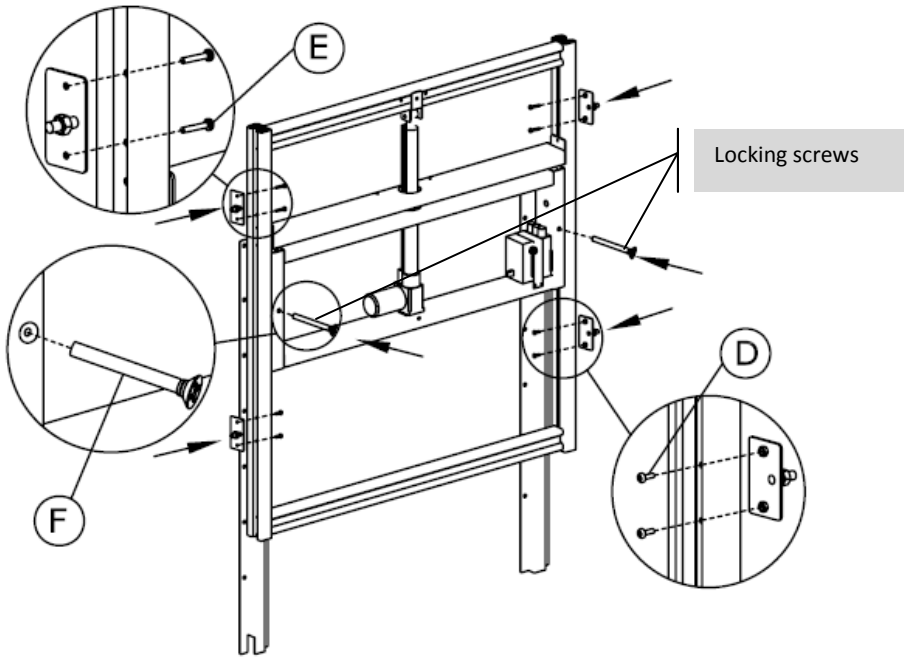
**Ensure the correct fixtures are used to attach the Techmount to the wall. The fixtures provided may not be suitable for your application.**

NOTE: At least six fixtures must be used for each leg, with two at the top.

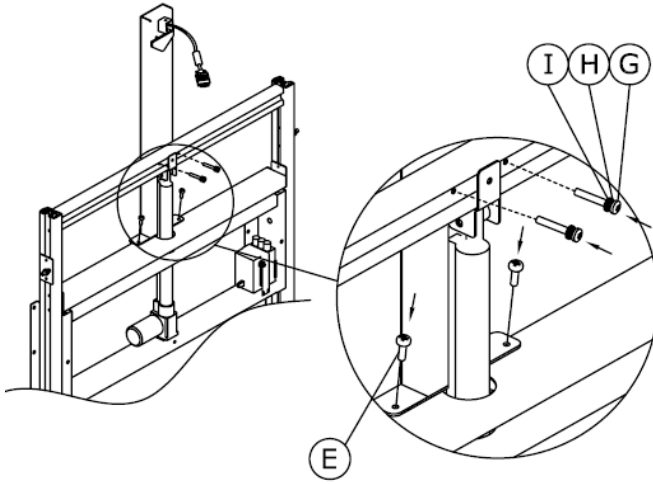
2. HANG FRAME ON LEGS



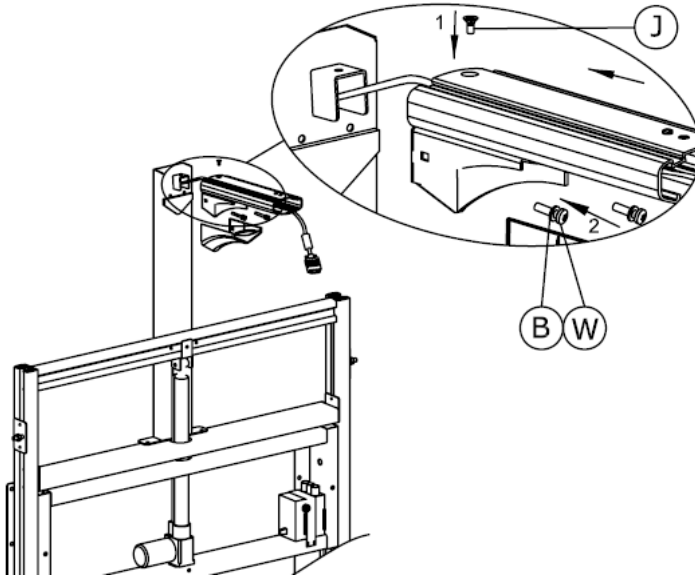
3. FIT BRACKETS to side of frame as shown. Add locking screws to prevent frame being lifted off legs.



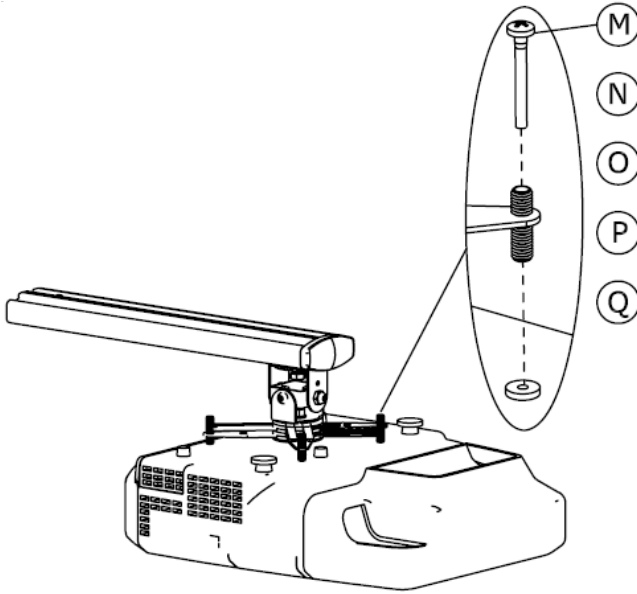
4. ATTACH UPRIGHT



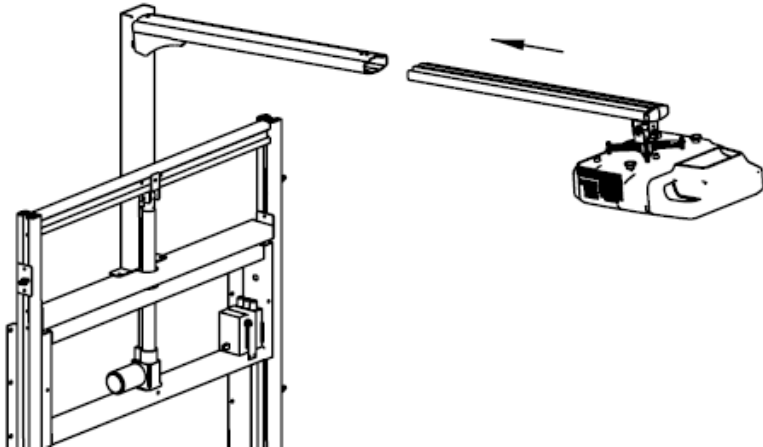
5. ATTACH BOOM



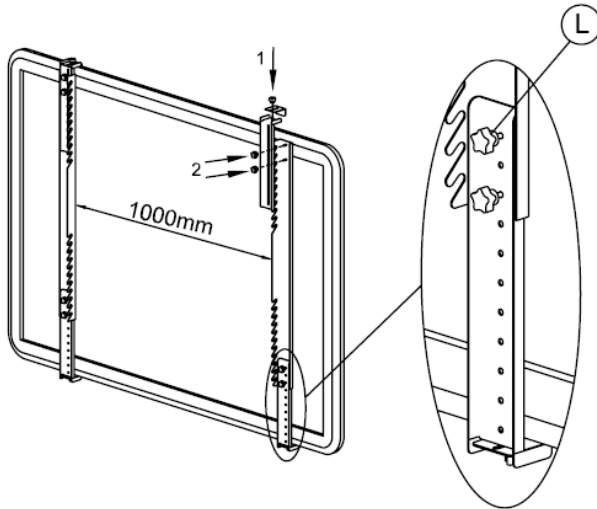
6. ATTACH SPIDER TO PROJECTOR



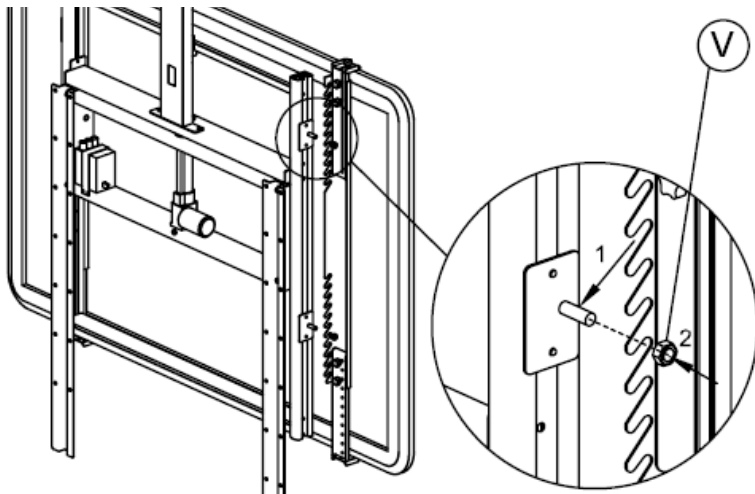
7. FIT PROJECTOR ASSEMBLY TO BOOM Tighten screw to lock the two parts of the boom together



8. FIT ADJUSTABLE ARMS TO WHITEBOARD / FLAT PANEL



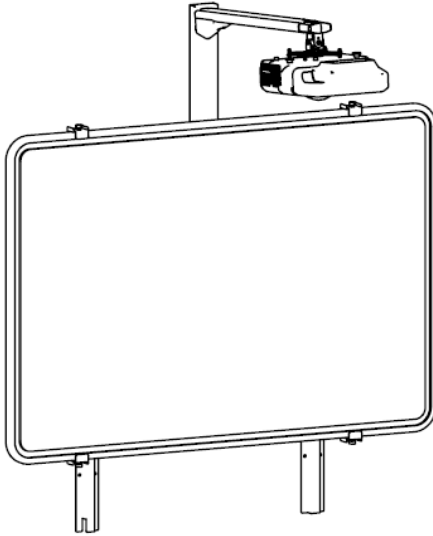
9. HANG BOARD ON FRAME Make projector level and turn on. Set projector zoom as large as possible. Adjust boom length so image is same size as board. Hang board at same height as image.





10. TEST EXCURSION Plug motor into power and move assembly to upper and lower limits to ensure no snags and mount is operating safely.

Adjustments may be necessary. Once complete tighten all bolts.



## **SPECIFICATIONS**

PRODUCT WEIGHT: 40.5 kg

SAFE WORKING LOAD:

Interactive Whiteboard / Touch-panel LCD: 50 kg

Projector: 10 kg

CONSTRUCTION MATERIAL: Aluminium and Steel

COLOUR: White and Aluminium

TECHNICAL DETAILS:

Motor Type: Linear-drive

Rated Cycles: 12000

Speed: 25mm/s

Pushing Force: 2000N

Pulling Force: 1800N

## **ACCESSORIES:**

1 x EU Figure-8 Power cable 1.8m long

1 x UK Figure-8 Power cable 1.8m long

## WARRANTY

This product comes with a 2-year return to base warranty, effective from the date of purchase. This warranty applies only to the original purchaser and is not transferable. For the avoidance of doubt, this will be taken from the information held by the appointed national distributor at the point of sale. The liability of the manufacturer and its appointed service company is limited to the cost of repair and or replacement of the faulty unit under warranty, except for death or injury (EU85/374/EEC). This warranty protects you against the following:

- Faulty welds resulting in the product not safely performing its task within the recommended SWL (safe working load).
- Poor finishing resulting in the product not being able to be assembled.
- External corrosion if identified within 24 hours of purchase. The inside of the pipe is not powder-coated, so light corrosion may develop over time. This is normal and does not adversely affect the load-bearing capability of the product, therefore it is not covered in this warranty.

If you find you do have a problem with this product, you should contact the AV reseller you purchased this product from. The original purchaser is responsible for shipment of the product to the manufacturer's appointed service centre for repair. We will endeavour to return repaired units within 5 working days, however this may not always be possible in which case it will be returned as soon as practically possible. This warranty does not protect this product against faults caused by abuse, misuse, or incorrect installation which might be caused by ignoring the guidelines set out in this manual. If failure is not covered by this warranty, the owner will be given the option to pay for labour and parts to repair the unit at the service company's standard rate.

*LEGAL DISCLAIMER: Because we are committed to improving our products, the details above may change without prior warning. This User Manual is published without warranty and any improvements or changes to the User Manual necessitated by typographical errors, inaccuracies of current information, or improvements to programs and/or equipment, may be made at any time and without notice. Such changes will be incorporated into new editions of the User Manual.*