

AVH1800-65-1P



Product designed and manufactured according to Germany GS safety quality standard
Please purchased products with GS MARK to avoid personal injury



PRODUCT FEATURES

Use for commercial display/ digital bulletin

Fixed and Movable display for Flat Panel TV Mount

For screen sizes **32"-65"**

- Fits most 32"-65" flat panel TV
- VESA compliance : 200×200,200×400
300×300,400×400,400×600,500×800mm
- Load capacity : 150lbs(68.2kg)
- Material : SPCC with coating finished



Lock must be used after installation to avoid theft in common areas

Anti-theft lock designed allow you to place mobile display at anywhere in common areas

Landscape and portrait designed allow you to have different viewing angles and height

Anti-shock clip designed to avoid micro vibration

Display can be moved around and stop at any positions with brake applied

Neat and tidy cables management

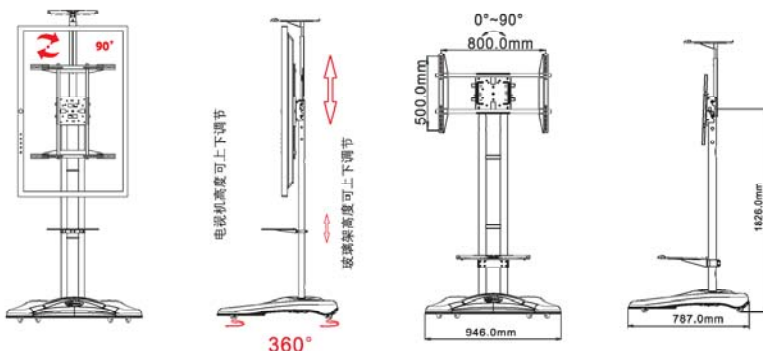
90°

Landscape for Commercial Large Screen

Portrait for Digital Bulletin

90°

PRODUCT DIMENSIONS



ACCESSORIES



AVH8000
AV accessories tray



AVA700
Video camera tray