



ELITE SCREENS

Whiteboard & Short-throw Projector

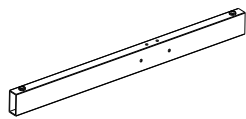
Universal Mobile Stand

ZWBMS-Pro

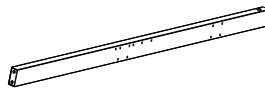
User's Guide

Parts List for Universal Mobile Stand

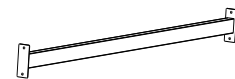
Please make sure all parts listed below are included before proceeding with installation.



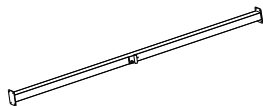
a. Bottom Leg X2



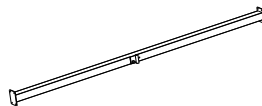
b. Side Leg X2



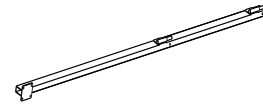
c. Bottom Center Bar X1



d1. Top Center Bar x1



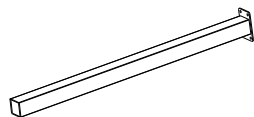
d2. Middle Center Bar x1



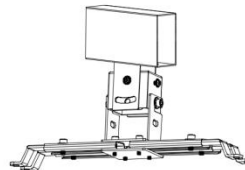
e. Center Upright Bar x1



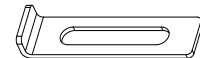
f. Extension Bar x2



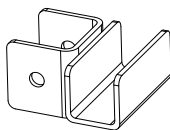
g. Projector Rail x1



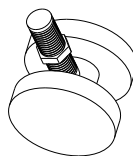
h. Rail Bracket x1



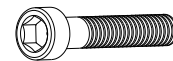
i. Bracket x2



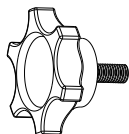
j. Holder x2



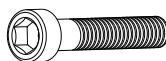
k. Wheel x4



l. M6x15 screw x4



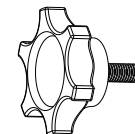
m. M6x20 screw x3



n. M6x35 screw x22



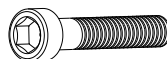
o. M6 Nut x30



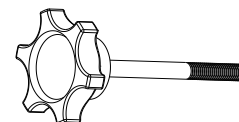
p. M8x20 x3



q. M6 Washer x60



r. M6x60 x4

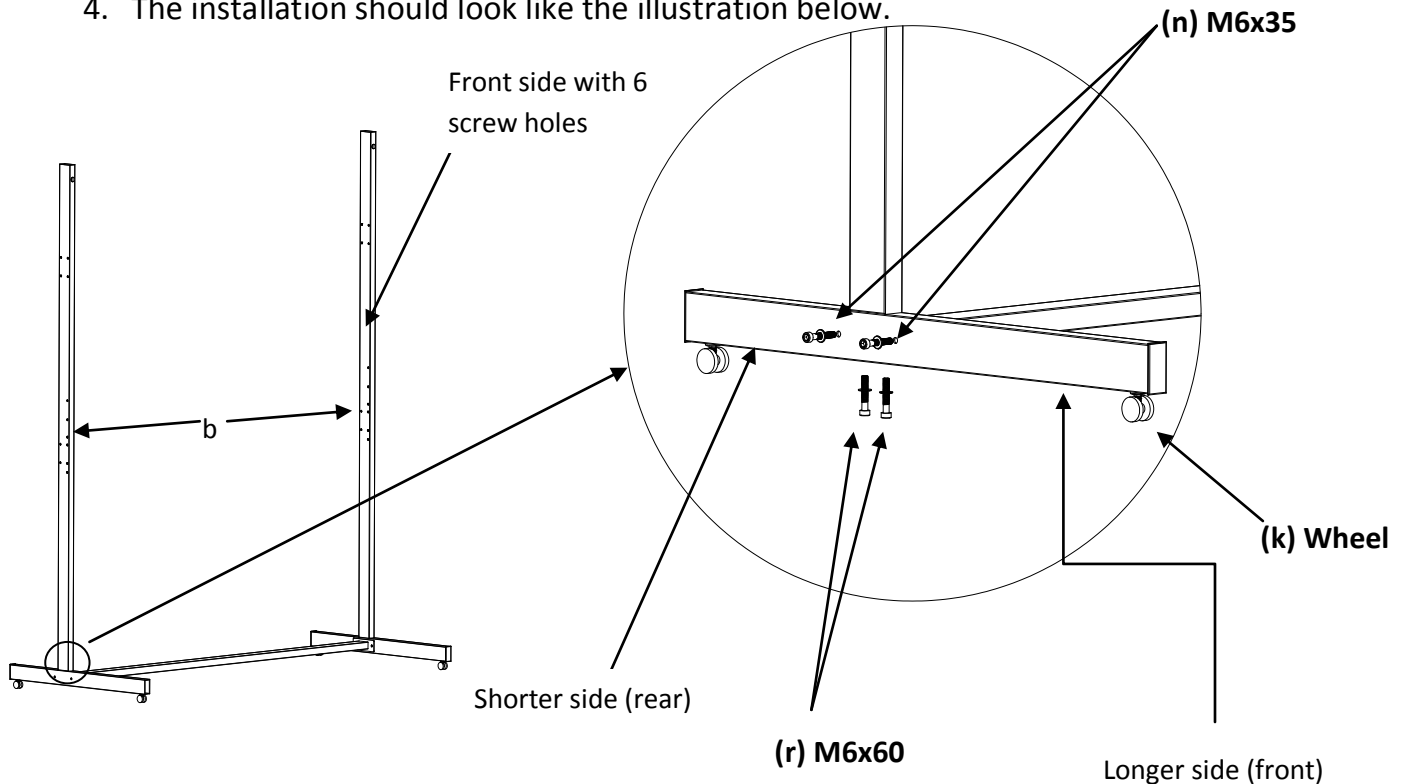


s. M8x50 x1

Installation Instructions

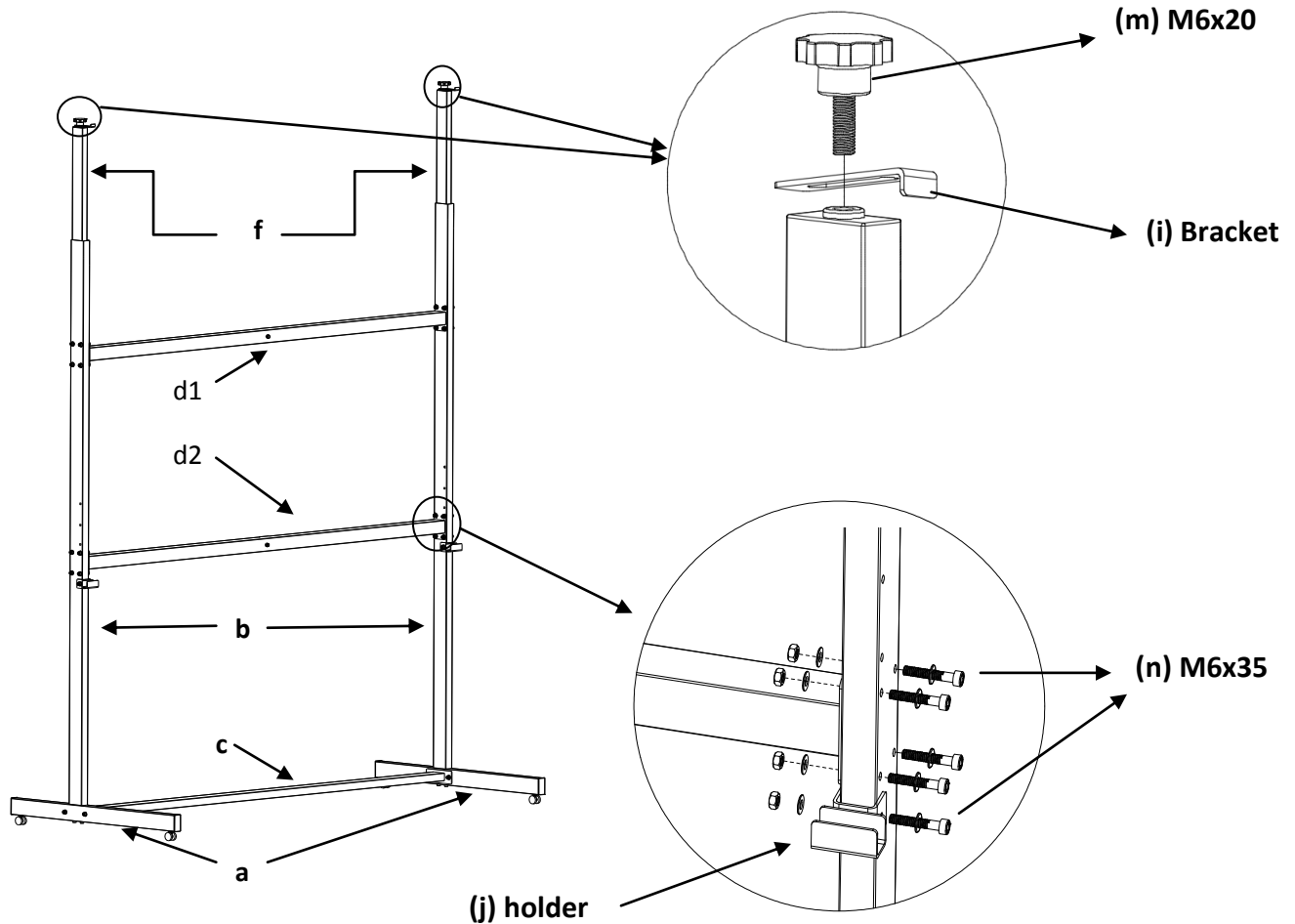
Elite Screens recommends two persons to fully assemble the Universal Mobile Stand. Please follow the installation instructions carefully and make sure all screws are secure before installing your WhiteBoardScreen Universal to your Universal Mobile Stand.

1. Attach the Wheels (k) to the Bottom Legs (a).
2. Attach the Bottom Legs (a) to the Side Legs (b) and secure with the M6x60 screws (r), M6 washers (q), and M6 nuts (o).
3. Attach the Bottom Center Bar (c) as shown in the figure below and secure with the M6x35 screws (n), M6 washers (q) and M6 nuts (o).
4. The installation should look like the illustration below.

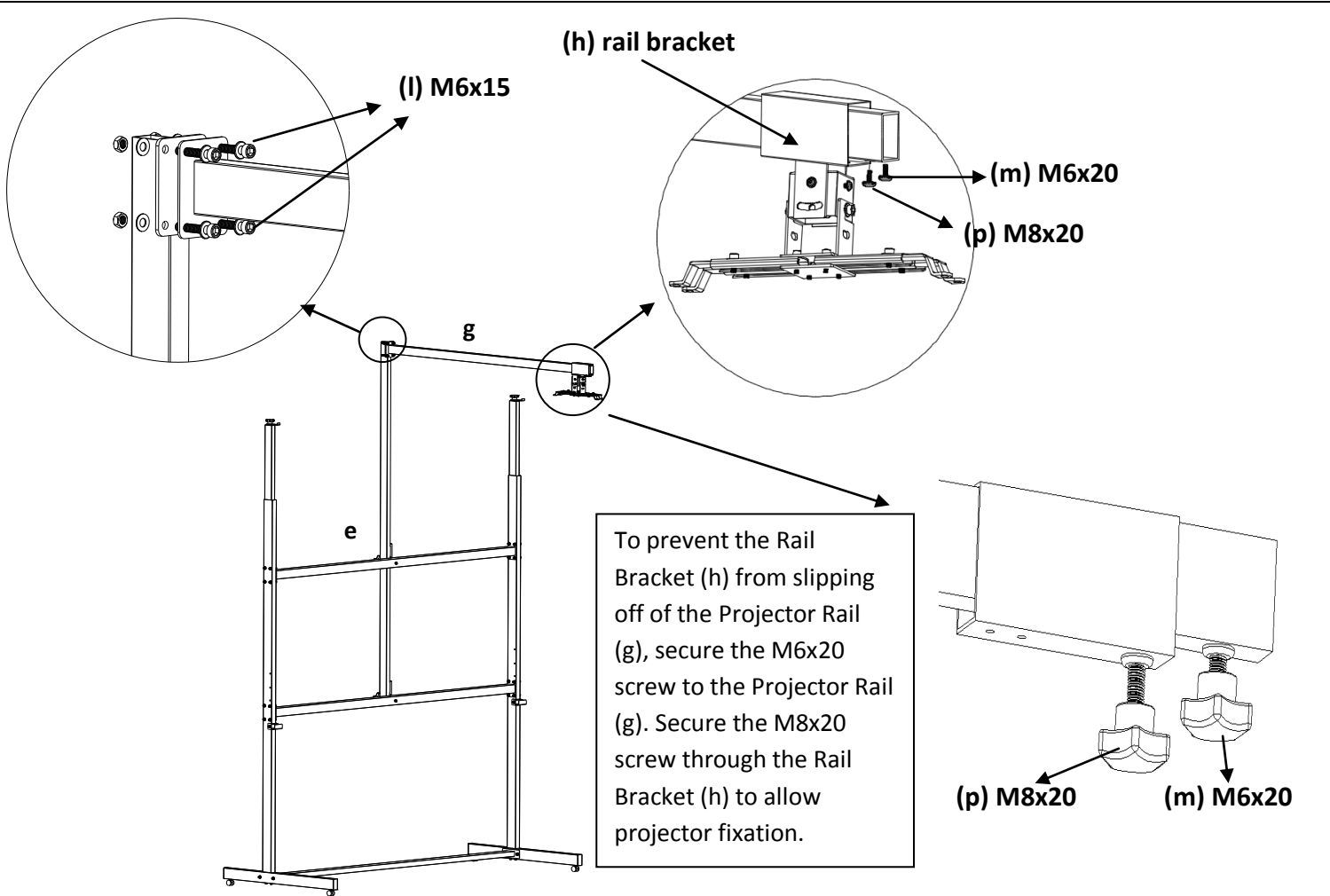


5. Attach the Top Center Bar (d1) and the Middle Center Bar (d2) to the Side Legs (b), and secure with M6x35 screws (n), M6 washers (q) and M6 nuts (o).
6. Insert the Extension Bars (f) to the side legs, attach the brackets (i) and secure with the M6x20 screws (m). Make sure the brackets are facing the front of the stand.

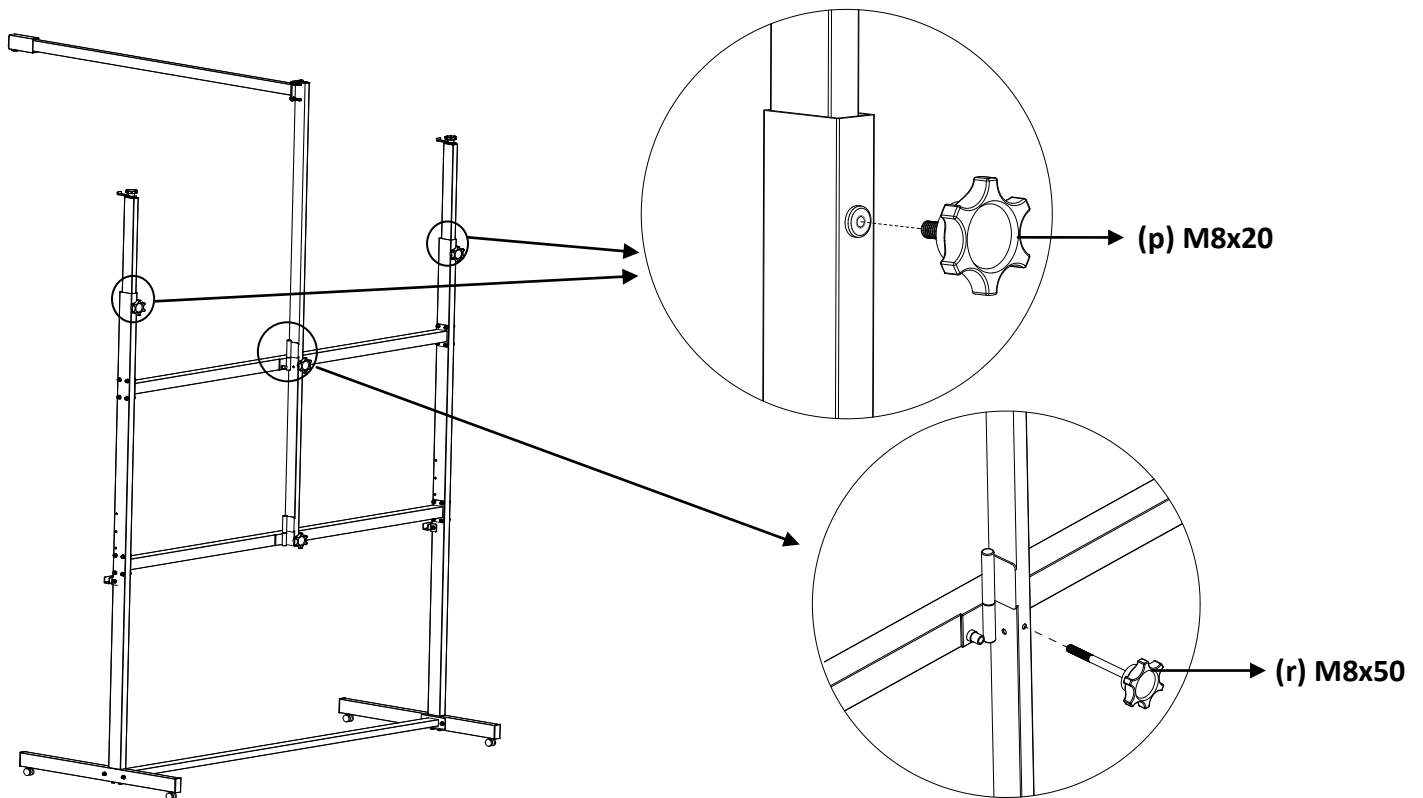
- Attach the Holders (j) to the side legs and secure with M6x35 screws (n), M6 washers (q) and M6 nuts (o).

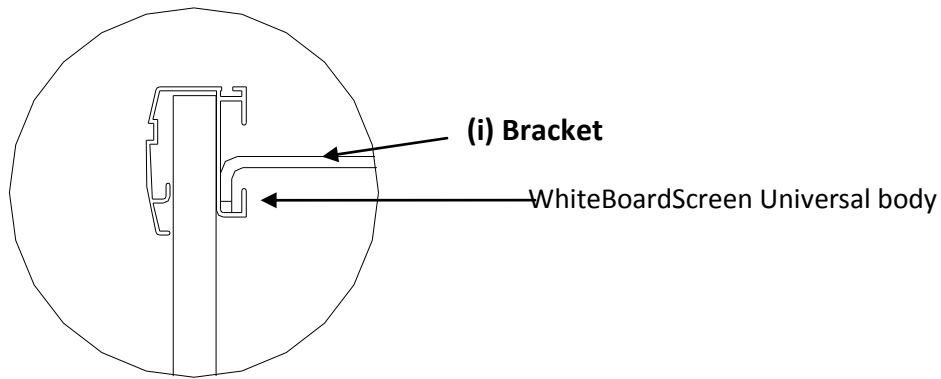


- Attach the Projector Rail (g) to the Center Upright Bar (e) and secure with M6x15 screws (l), M6 washers (q) and M6 nuts (o).
- Attach the Center Upright Bar (e) to the Middle Center Bar (d2) and to the Top Center Bar, and secure with the M8x50 screw (s).
- Attach the Rail Bracket (h) to the projector mount and to the Projector Rail (g), and secure with the M8x20 screw (p).



11. Secure the Extension Bars (f) with M8x20 screws (p).





Adjusting the Center Upright Bar

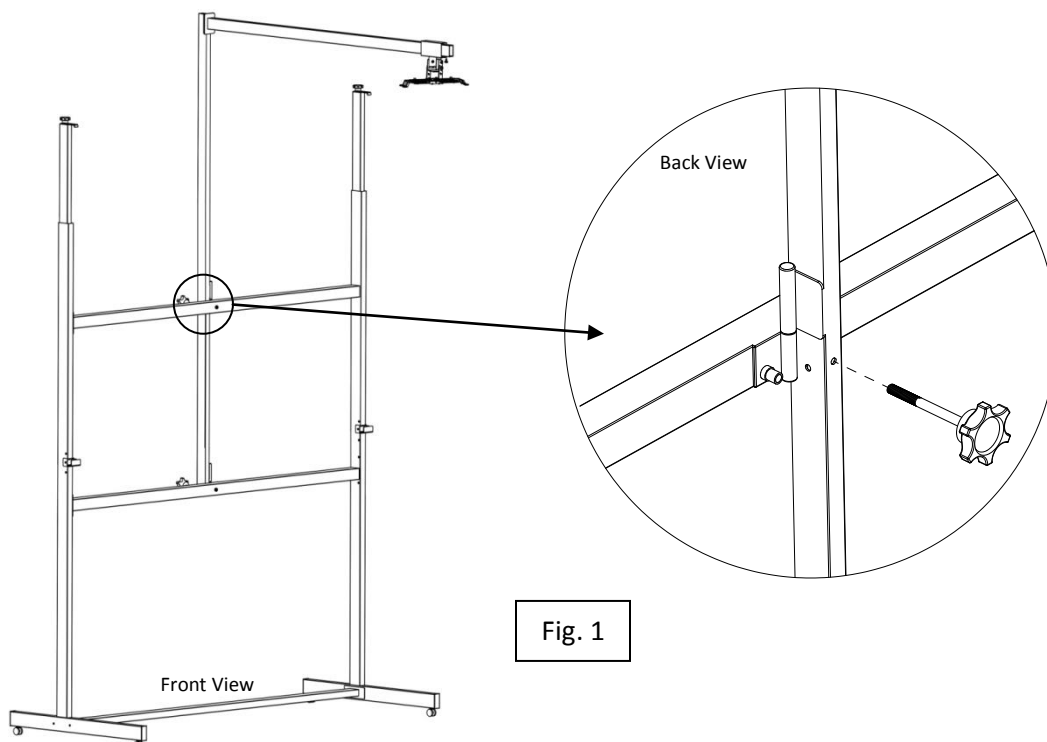
For better mobility while transporting the Universal Mobile Stand through narrow doorways, follow these steps to adjust the Center Upright Bar.

Safety Precaution:

- Always use two people while assembling, transporting, or adjusting the stand.
- Please be sure all parts are **completely** secure **before** moving the stand to avoid physical injury or damaging the product.

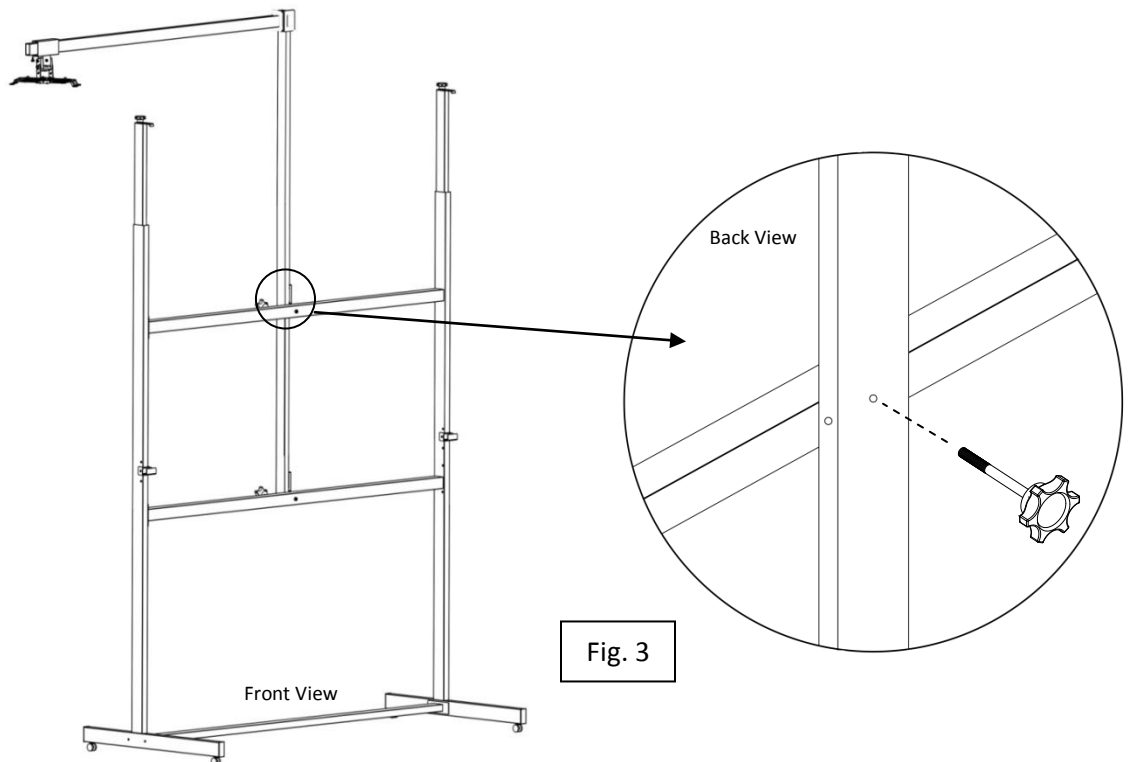
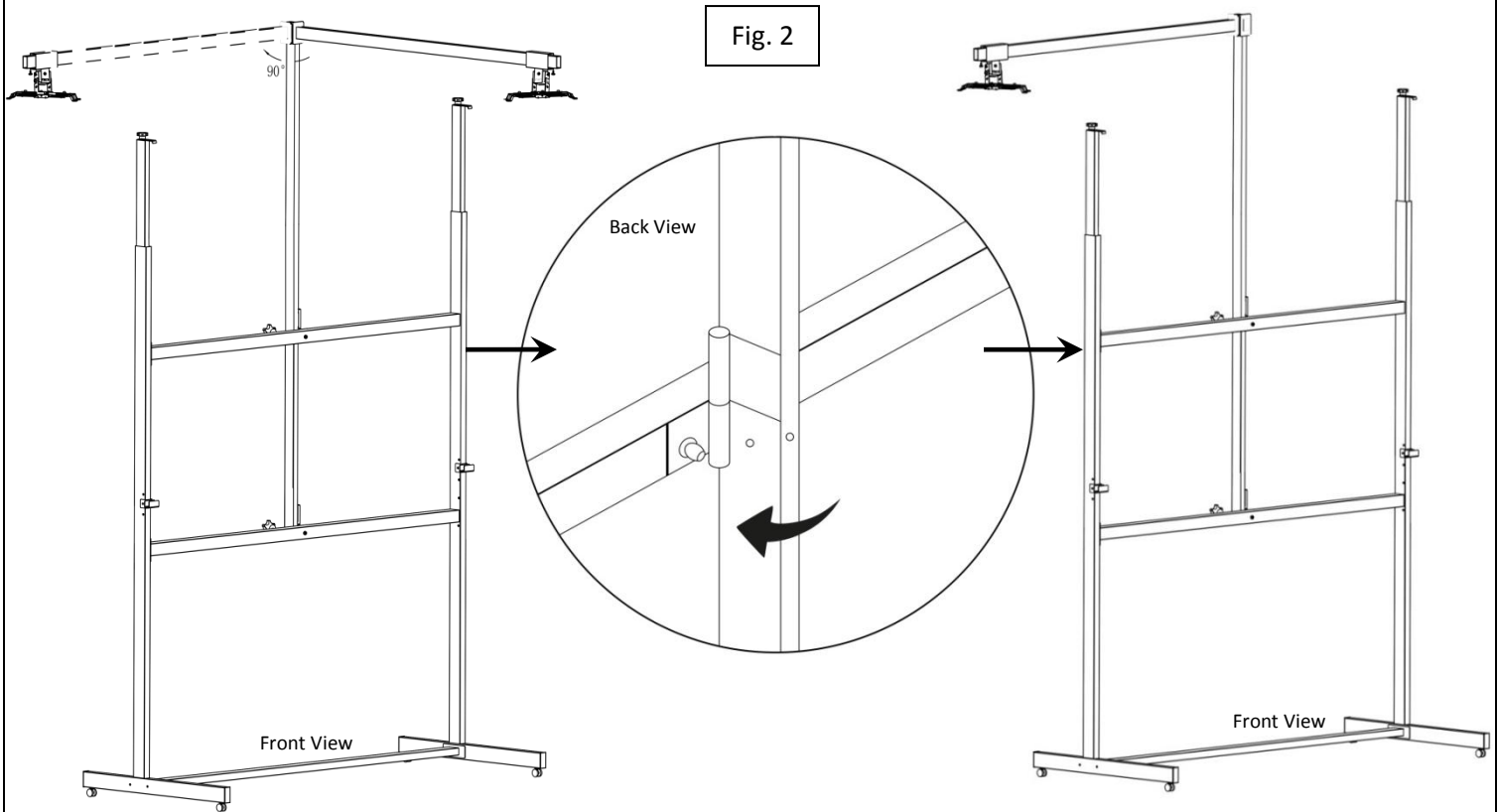
a. Positioning the stand for projection

1. Insure the Center Upright Bar is facing so that the Projector Rail is suspended in front of the stand.
2. Completely screw in the M8x50, securing the Center Upright Bar to the Top Center Bar. (see Fig. 1)



b. Positioning the stand for transportation

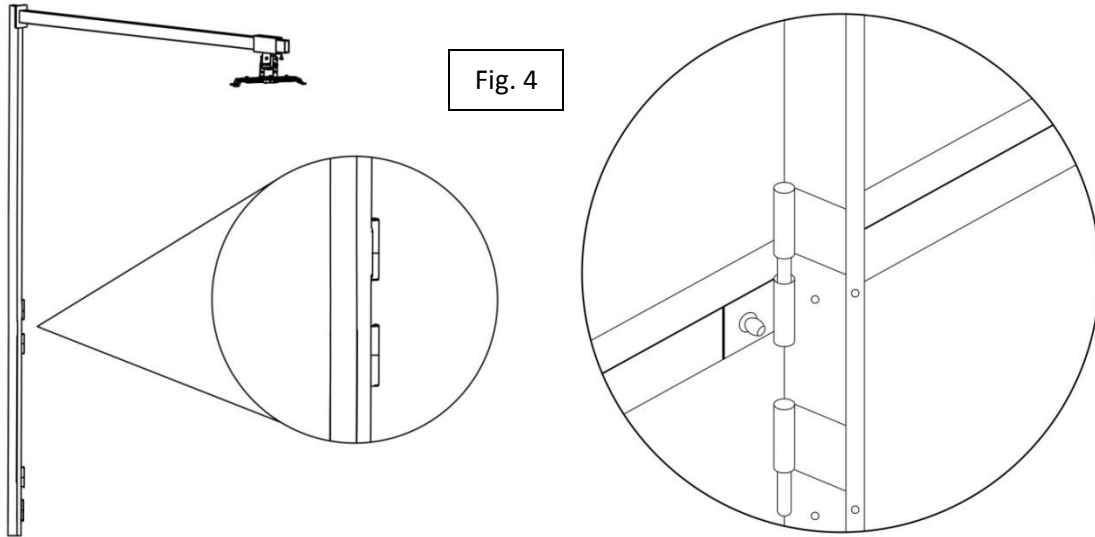
1. From the position achieved in the previous steps, unscrew the M8x50 from the Upright and Top Center Bars.
2. Standing behind the stand, flip the Center Upright bar towards the left to swivel the Projector Rail towards the right. (The Projection Rail should now be suspended over the right half of the stand.) (see Fig. 2)
3. Completely screw in the M8x50, securing the Center Upright Bar to the Top Center Bar. (see Fig. 3)



c. Adjusting the height of the stand

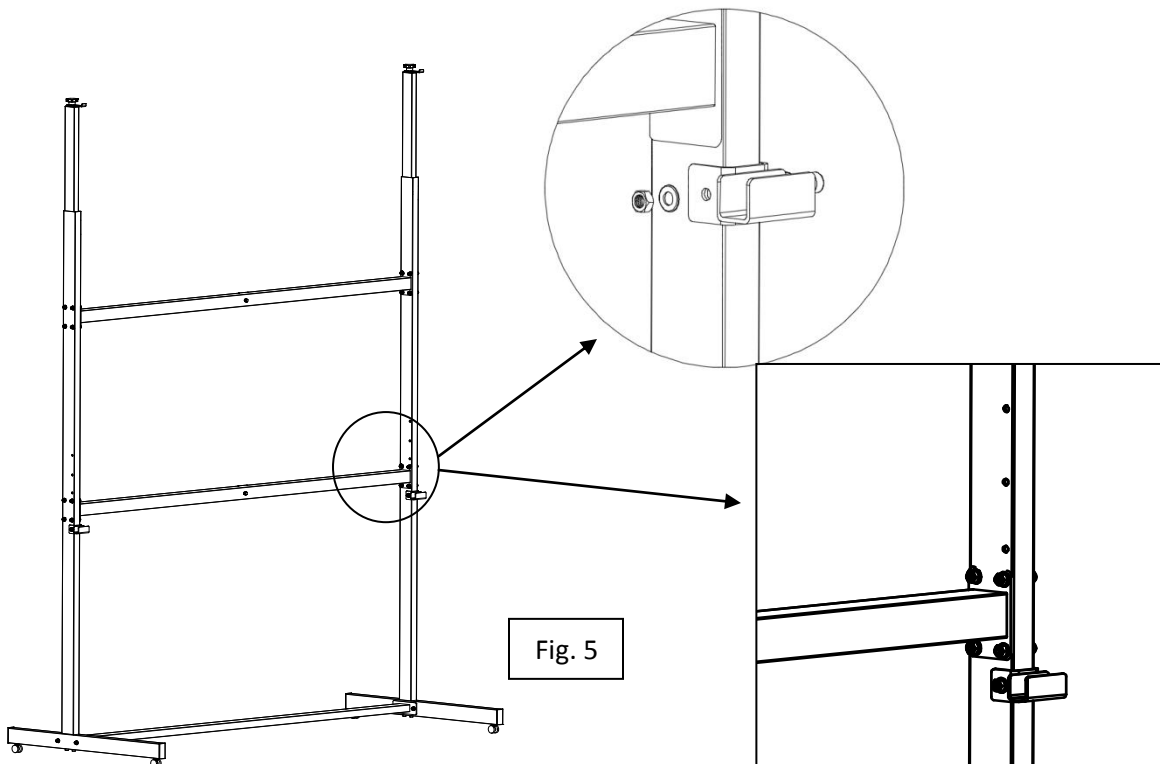
1. Unscrew the M8x50 from the Upright and Top Center Bars
2. Carefully remove the Center Upright Bar by lifting it until the pegs slip out of the sleeves.
3. Select one of two heights and carefully place both pegs into the corresponding sleeves on the Top and Middle Center Bars (see Fig. 4)
4. Screw in the M8x50 into the Upright and Top Center Bars to secure.

NOTE: Remove your projector **before** adjusting the height to avoid serious injury or damage to your projector



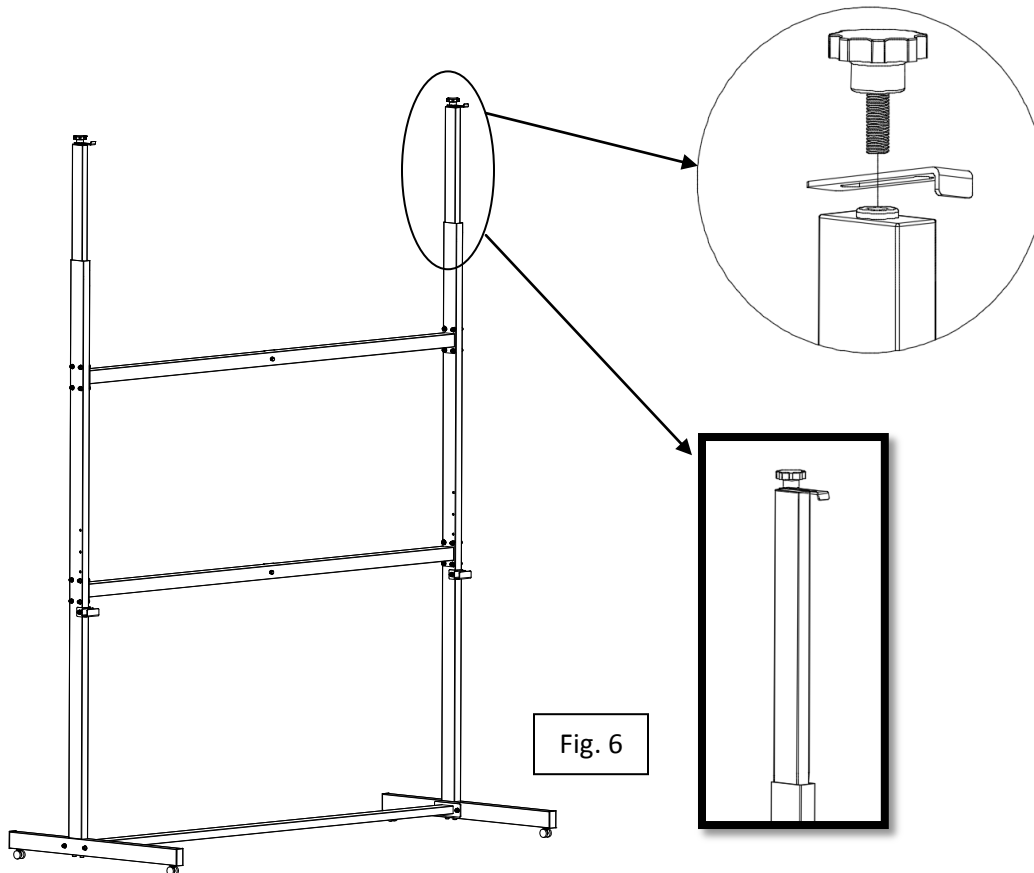
Adjusting the Screen Holder & Extension Bar

To better secure your screen to the Universal Mobile Stand, follow the steps below.



a. Adjusting the Holder

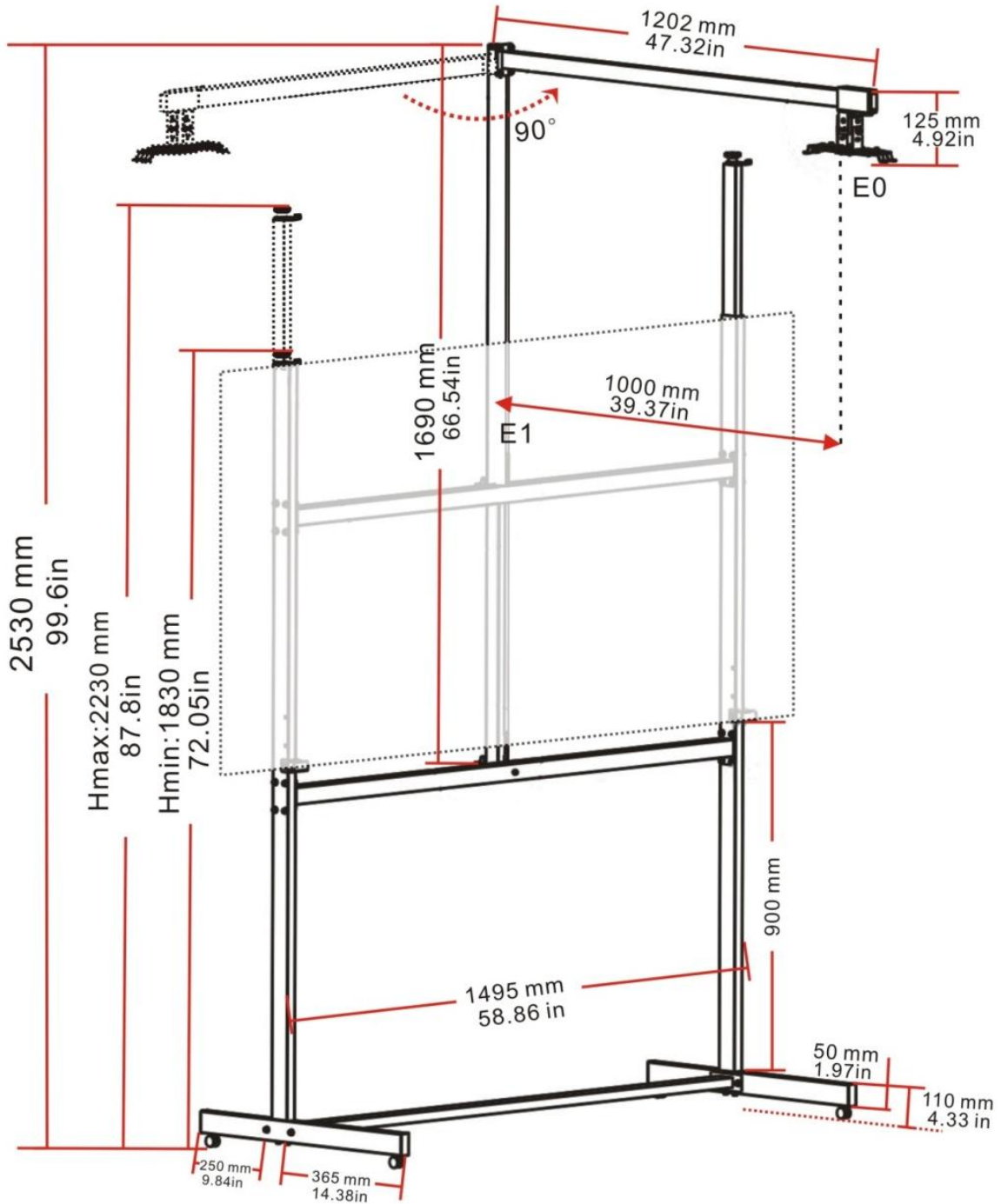
1. Select one of four height options for the Holder based on the height of your screen.
(see Fig. 5)
Please keep in mind the height adjustable Extension Bar featured in later steps.
2. Secure the Holder with the provided M6x35 screws, M6 washers and M6 nuts.

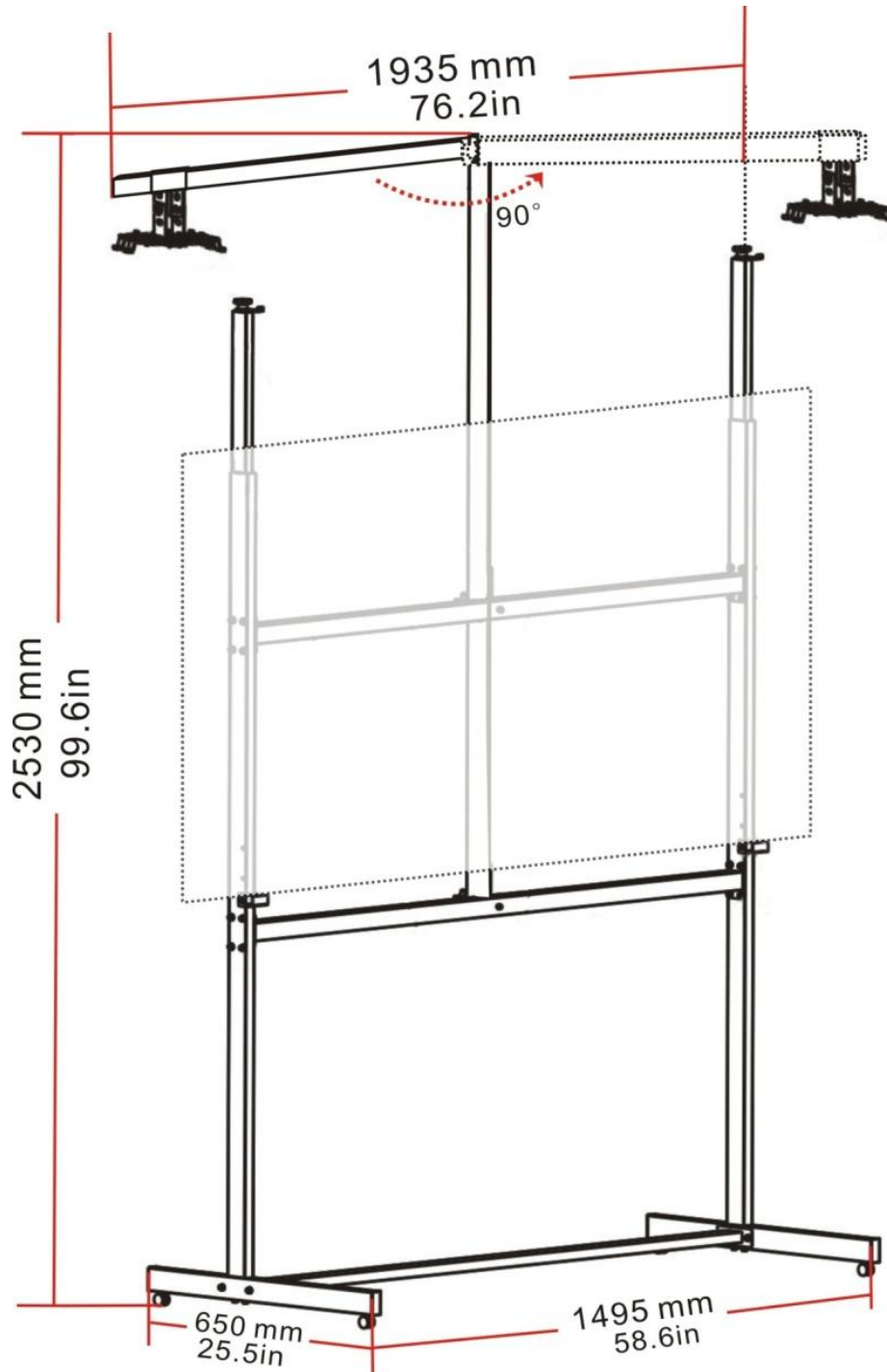


b. Adjusting the Extension Bar

1. Measure out the height of the screen starting from the Holder, going up towards the Bracket, giving yourself enough space to lower the Extension Bar and Bracket in the next few steps.
2. Carefully place your screen onto the Holders, keeping a firm hold on it.
3. While maintaining the position of the screen, slowly lower the Extension Bars until the Brackets rest on the top of the screen.
4. Continue to hold the screen while tightening the Brackets' grip with the M6x20 knob screws until the screen is completely secure.

Universal Mobile Stand Dimensions





For a local Elite Screens contact or Technical Support, please visit
www.elitescreens.com