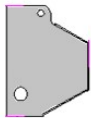


# SG Audio Visual Product Specification

<b>SGHEW350</b>	<b>157" Premium Intelligent Large Electric screen for Video Presentations</b>
-----------------	---

General	
Recommended Use	Perfect for larger conference rooms and halls in conjunction with any 1080p or 4k wide format projector. The 16:9 format is designed to match with the native aspect ratio of most video content. Use this screen where the majority of use is for video.
Compatibility	Suitable for 4K and 1080p projection. Not suitable for ultrashort projectors.

Screen Surface	
Material	Matte White Premium Fiberglass with lightproof black backing. 1.1 gain with 100 degree viewing angle.
Overall Surface	W: 350cms   H: 197cms or 246.1 cm with max black leader   Diag: 157 in
Viewable Surface	W: 338cms   H: 190.1cms   Diag: 153 in
Black Leader	50 cms top adjustable via limit control
Border	6cms left and 6cms right

Housing	
Material	Aluminium alloy (large case)
Colour	White
Housing Profile	
Housing Dimensions	W: 9.6cms   H: 12.9cms   L: 358.7 cms
Weight	27kg Gross / 23kgs Net

Electrical and Control	
Wireless Remote	RF remote included.
Wired Wall Switch	Wall switch situated on Left Hand side of Screen
Low voltage Control	Standard. Control cable is optional
Motor	Premium tube motor
Motor location	Left Hand side
Power	220V~240V, 50Hz, Power cord 2m (Removable)

Warranty	
Standard Warranty	2 years
Extended warranty	1 additional year available

Specifications are subject to change without notice

Ver 1.0 Feb 21



SGHEW350 157" 16:10 format HE Series Large  
Commercial Grade Electric Projector Screen (3.5m \* 1.97m)

### HE Series Large Premium Intelligent Electric Screens

SG Audio Visual Large HE Series intelligent projection screens are larger commercial grade Electric screens for wall or ceiling mounting. They feature a premium fiberglass matte white surface with lightproof black backing. The fiberglass surface is more rigid and minimises stretching. The screens also feature a hexagonal aluminium alloy housing, long 50cm black leader (adjustable), control system with wired and wireless RF control and premium tube motor. The system is supplied with remote control, wired wall-switch and power cable.

#### Projection Surface

The matte white fiberglass surface provides a good 1.1 gain and wide 165 degree viewing angle. The black backing ensures that it is lightproof.

This surface is designed for UHD/4K projection but will also perform well with WUXGA/1080p projection.

The 50cm long black leader on these screens may be adjusted to ensure that the viewable white surface is at a comfortable viewing height.

#### Screen Dimensions

This 157" HE Series Large 16:9 screen has a 3.5m wide white surface with lightproof black backing with an overall drop of up to 2.46m including the 50cm black leader. After allowing for the 6cm black border the image size supported is approximately 3.38m \* 1.90m. The slimline housing is only 9.6cms and 12.9cms high and the screen has an overall length of 3.59m.

We would normally recommend this screen for business or mixed presentations in a small hall or conference room.

#### Housing and Mounting System

The Large HE Series are designed to mount on wall or on ceiling using appropriate fasteners or suspended using appropriate mounting hardware.

The white aluminium alloy housing is rectangular with a curved front face.

#### Warranty

This product comes with a two-year manufacturer's warranty.

#### Associated Products

SGSZTRIGGER	Trigger Cable suit IA/IT/HE series screen
SGSZSWITCH	Wired Switch for IA/IT/HE series screen
SGSZIRREMOTE	IR Remote control for IA/IT/HE Series
SGHELWARR1YR	Additional 1 year warranty for HE Series 3.5-4m screen (total 3 years)