

Screen supplied separately



Manufacturing tolerance +/- 5mm
All dimensions are in (mm)
Always allow for removal of screen for servicing.



Ph: 612 4869 2100
Email: info@screeentechnics.com.au

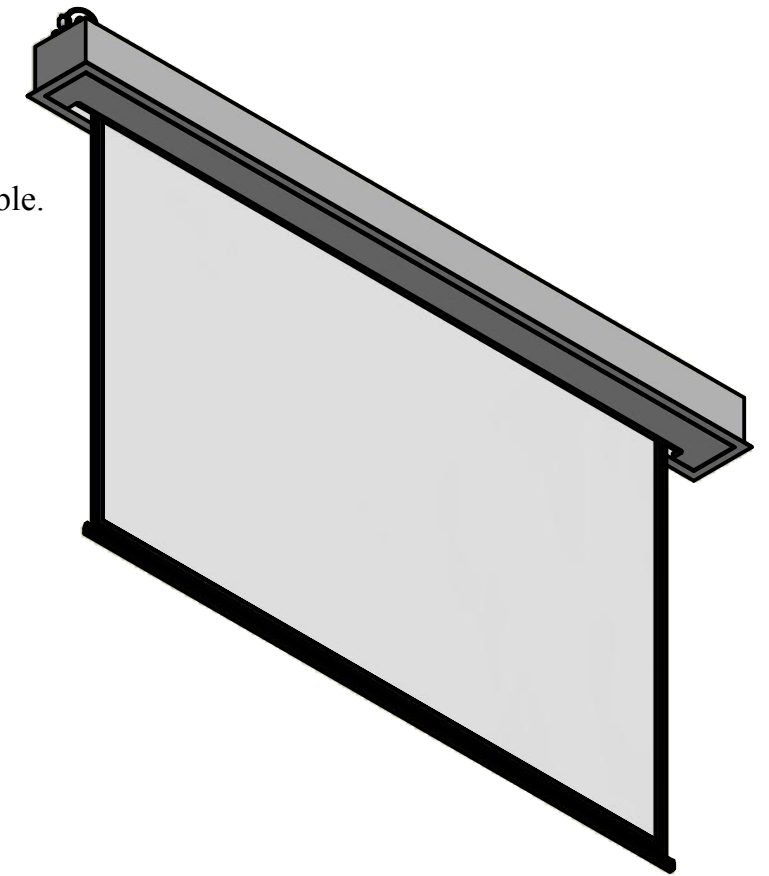
The Concept, Design and Details in this drawing are the property of Screen Technics Pty Ltd with whom the copyright resides. They may not be reproduced without written permission of Screen Technics Pty Ltd.

ElectriCinema Screen Box
Type B

Date	Part Number	Rev	Sheet
5/08/2016	EB6xxxxx-B	2	1 / 2

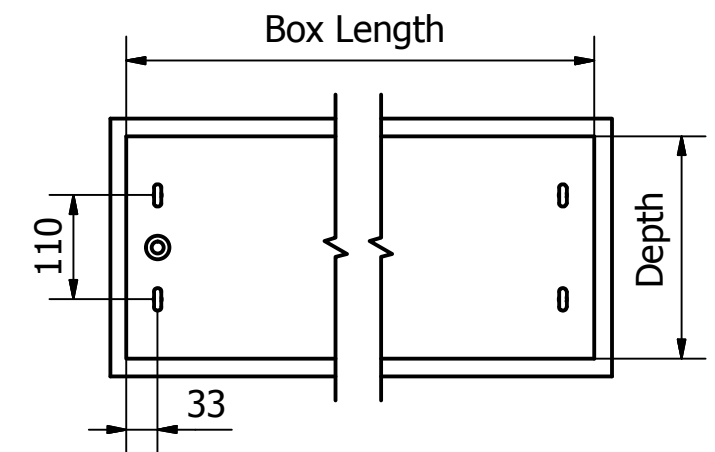
PRODUCT FEATURES

- Description:** In-Ceiling installation with power junction and brackets system.
- Box:** E0 MDF Construction with fully painted Low VOC 2 pack white underside & ceiling edge covers for easy install. Custom colours available.
- Screen:** Suitable only for ElectriCinema Range of Screens.
- Installation:** Utilising 5/16" threaded holes with either brooker rod or eye bolts to suitable structure.
- Brackets:** Utilises brackets supplied with ElectriCinema Screen.
- Sizes:** As shown - Custom Sizes & Formats available upon request.
- Options:** Suitable for Side Tension Systems upon request - size restrictions apply



ElectriCinema Screen Box Type B

Item No	Inch Diagonal	Image Size mm	Format	Box Length mm	Box Height mm	Box Depth mm	Weight Kg
EB611519-B	115"	1775 x 2340	Video 4:3	2835	200	235	44
EB612019-B	120"	1830 x 2440	Video 4:3	2935	200	235	46
EB613019-B	130"	1980 x 2640	Video 4:3	3135	200	235	49
EB614019-BR	140"	2135 x 2845	Video 4:3	3520	200	235	52
EB615019-BR	150"	2285 x 3050	Video 4:3	3740	200	235	56
EB611029-B	110"	1370 x 2435	HDTV 16:9	2930	200	235	46
EB611529-B	115"	1430 x 2545	HDTV 16:9	3040	200	235	47
EB612029-B	120"	1495 x 2655	HDTV 16:9	3150	200	235	48
EB613029-B	130"	1615 x 2880	HDTV 16:9	3375	200	235	51
EB614029-BR	140"	1740 x 3100	HDTV 16:9	3730	200	235	57
EB615029-BR	150"	1865 x 3320	HDTV 16:9	3960	200	235	62
EB611069-B	110"	1480 x 2370	16:10	2865	200	235	45
EB612069-B	120"	1615 x 2585	16:10	3080	200	235	48
EB613069-B	130"	1750 x 2800	16:10	3295	200	235	51
EB614069-BR	140"	1885 x 3015	16:10	3660	200	235	57
EB615069-BR	150"	2020 x 3230	16:10	3890	200	235	62



Captive Nut Positions
Ø5/16 Whitworth



Manufacturing tolerance +/- 5mm
All dimensions are in (mm)
Always allow for removal of screen for servicing.



Ph: 612 4869 2100
Email: info@screeentechnics.com.au

The Concept, Design and Details in this drawing are the property of Screen Technics Pty Ltd with whom the copyright resides. They may not be reproduced without written permission of Screen Technics Pty Ltd.

ElectriCinema Screen Box
Type B

Date	Part Number	Rev	Sheet
5/08/2016	EB6xxxxx-B	2	2 / 2