



ElectriCinema



ElectriCinema Type B

The premium projection screen of choice
SIZES 110" - 150"

The ElectriCinema has long been the premium projection screen of choice in the AV industry, with all the high quality features that you expect from a Screen Technics product: rugged design, contemporary good looks, and ease of installation with the universal bracket system.



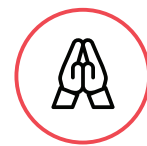
Market Segments:



Corporate
Events



Government



Worship



Hotels &
Entertainment



Theatre

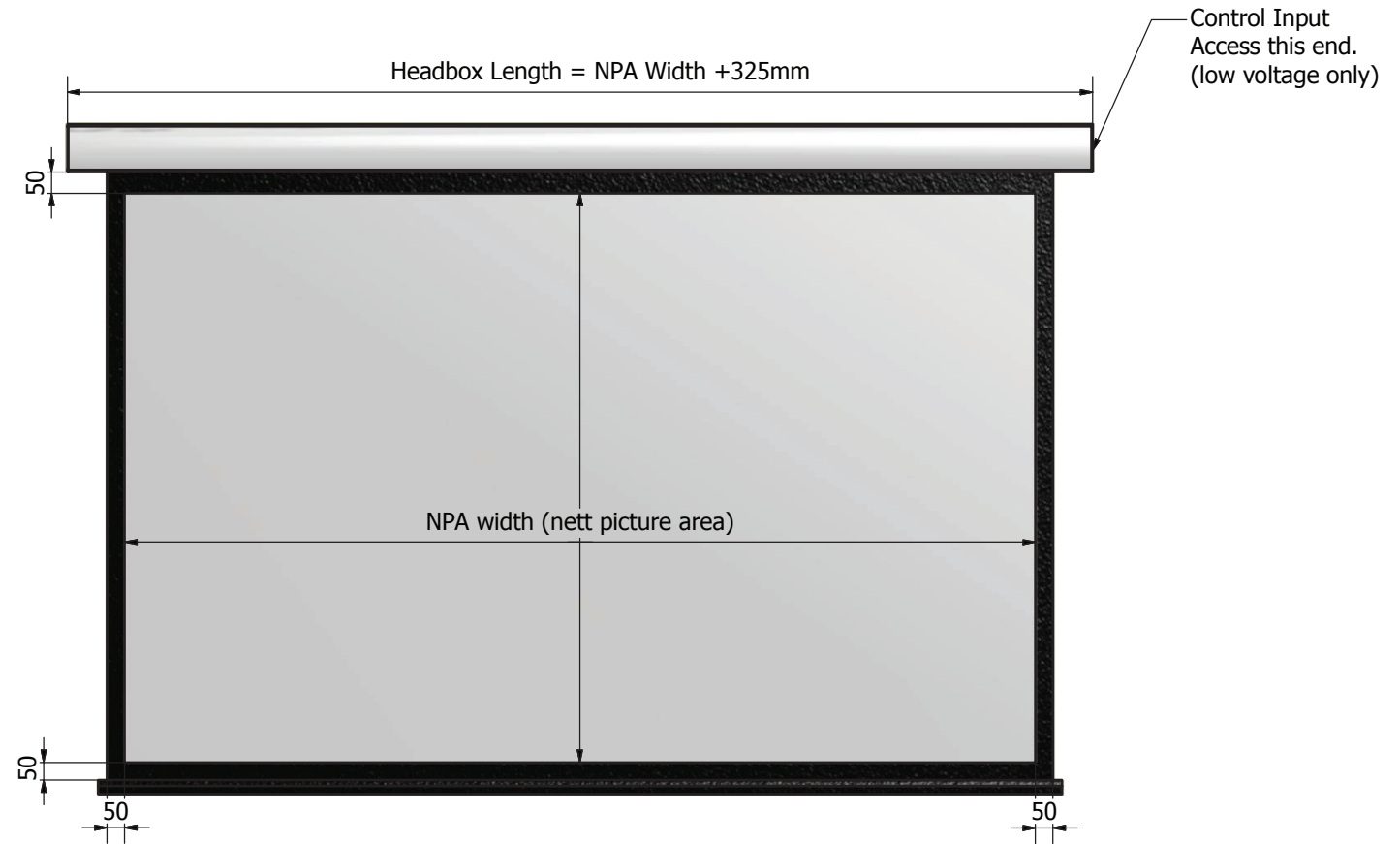
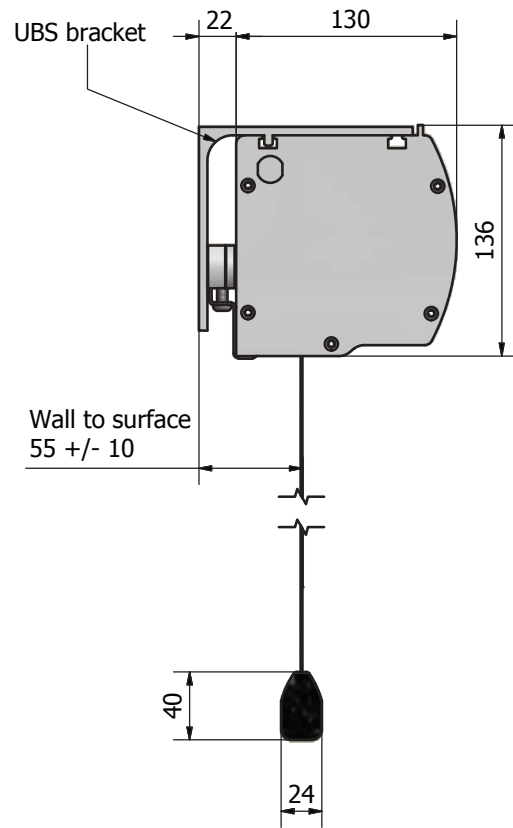


Education

Benefits include:

- Integrated with Connect IP
- 12V trigger
- Contact closure and IR
- Ability to link and group switch with other Connect control devices.





Manufacturing tolerance +/-5mm on headbox and slatrod
All dimensions are in (mm)
If installed in ceiling always allow for removal for servicing.

The Concept, Design and Details in this drawing are the property of Screen Technics with whom the copyright resides. They may not be reproduced without written permission of Screen Technics.

Date
04/11/2019

Part Number
06xxxxx-B

Rev
03

Product Features

DESCRIPTION:

Industry leading Integrated Connect Control with IP, IR, Close Contact, 12 v Trigger and Link Switching to other Connect controlled devices

SURFACE:

Unity White Black Backed Fibreglass - Gain 1.1

HEAD BOX:

Designer headbox canister in powder coat white / black optional

BRACKETS:

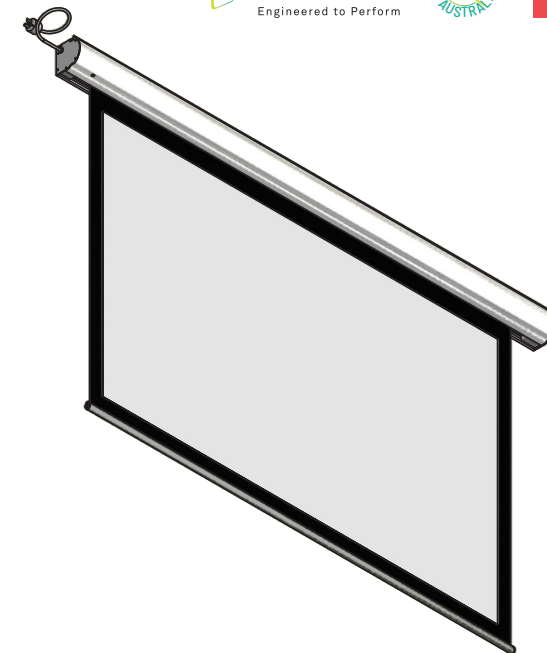
Universal wall / ceiling bracket with full width adjustability for ease of install

ROLLER DIAMETER:

80mm Heavy Duty Roller for enhanced lay-flat qualities

OTHER FEATURES:

Power located at opposite end of headbox canister from Low Voltage Control, improving installer safety outcomes.
C Tick Certified Australian made product.



ITEM NO	INCH DIAGONAL	IMAGE SIZE mm	FORMAT	HEADBOX SIZE mm	WEIGHT Kg
0611519-B	115"	1755 x 2340	Video 4:3	2665	31.0
0612019-B	120"	1830 x 2440	Video 4:3	2765	32.0
0613019-B	130"	1980 x 2640	Video 4:3	2965	34.0
0614019-B	140"	2135 x 2845	Video 4:3	3350	37.0
0615019-B	150"	2285 x 3050	Video 4:3	3570	40.0
0611029-B	110"	1370 x 2435	HDTV 16:9	2760	31.0
0611529-B	115"	1430 x 2545	HDTV 16:9	2870	32.0
0612029-B	120"	1495 x 2655	HDTV 16:9	2980	33.0
0613029-B	130"	1615 x 2880	HDTV 16:9	3205	37.0
0614029-B	140"	1740 x 3100	HDTV 16:9	3545	40.0
0615029-B	150"	1865 x 3320	HDTV 16:9	3645	47.0
0611069-B	110"	1480 x 2370	16:10	2695	31.0
0612069-B	120"	1615 x 2585	16:10	2910	32.0
0613069-B	130"	1750 x 2800	16:10	3125	35.0
0614069-B	140"	1885 x 3015	16:10	3340	40.0
0615069-B	150"	2020 x 3230	16:10	3555	45.0

Manufacturing tolerance +/- 5mm on headbox & slatrod.

All dimensions are in (mm). If installed in ceiling always allow for removal for servicing.

ARCHITECTS SPECIFICATION

The projection screen shall be an Australian made Screen Technics ElectriCinema Type B model _____ with Unity White Black Backed Fibreglass surface and shall be located where indicated on the plans.

Installation shall be done in accordance with the manufacturer's instructions



AUSTRALIA

22-24 Suttor Road

Moss Vale NSW 2577

+61 2 4869 2100

screeentechnics.com.au • info@screeentechnics.com.au

NEW ZEALAND

44 Mahana Road

Te Rapa, Hamilton

+0800 022 821

INTRODUCING THE ELECTRICINEMA HI CONTRAST GREY

When you don't have full control of ambient light conditions, grey assists the projector in improving black in the spectrum by shifting the contrast band towards the darker scale. This improves overall colour saturation, but with the loss of some brightness normally well compensated for by today's projectors.

Product Features

DESCRIPTION:

Industry leading Integrated Connect Control with IP, IR, Close Contact, 12 v Trigger and Link Switching to other Connect controlled devices

SURFACE:

Hi Contrast Grey Black Backed Fibreglass - Gain 0.8

HEAD BOX:

Designer headbox canister in powder coat white / black optional

BRACKETS:

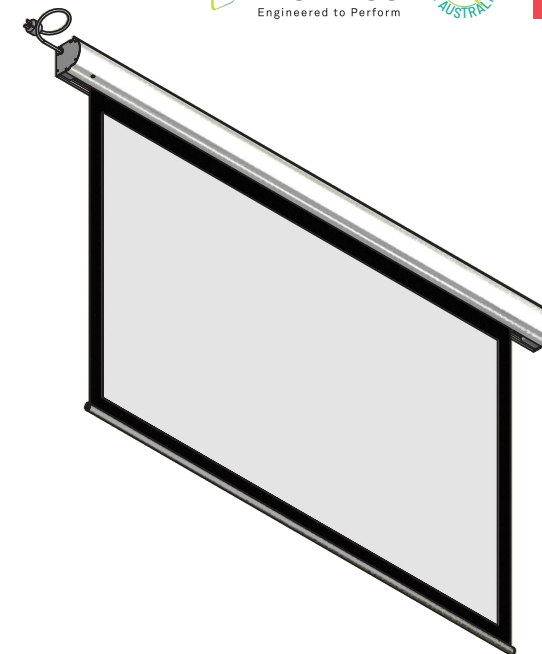
Universal wall / ceiling bracket with full width adjustability for ease of install

ROLLER DIAMETER:

80mm Heavy Duty Roller for enhanced lay-flat qualities

OTHER FEATURES:

Power located at opposite end of headbox canister from Low Voltage Control, improving installer safety outcomes.
C Tick Certified Australian made product.



ITEM NO	INCH DIAGONAL	IMAGE SIZE mm	FORMAT	HEADBOX SIZE mm	WEIGHT Kg
0611518-B	115"	1755 x 2340	Video 4:3	2665	31.0
0612018-B	120"	1830 x 2440	Video 4:3	2765	32.0
0613018-B	130"	1980 x 2640	Video 4:3	2965	34.0
0614018-B	140"	2135 x 2845	Video 4:3	3350	37.0
0615018-B	150"	2285 x 3050	Video 4:3	3570	40.0
0611028-B	110"	1370 x 2435	HDTV 16:9	2760	31.0
0611528-B	115"	1430 x 2545	HDTV 16:9	2870	32.0
0612028-B	120"	1495 x 2655	HDTV 16:9	2980	33.0
0613028-B	130"	1615 x 2880	HDTV 16:9	3205	37.0
0614028-B	140"	1740 x 3100	HDTV 16:9	3425	40.0
0615028-B	150"	1865 x 3320	HDTV 16:9	3645	47.0
0611068-B	110"	1480 x 2370	16:10	2695	31.0
0612068-B	120"	1615 x 2585	16:10	2910	32.0
0613068-B	130"	1750 x 2800	16:10	3125	35.0
0614068-B	140"	1885 x 3015	16:10	3340	40.0
0615068-B	150"	2020 x 3230	16:10	3555	45.0

Manufacturing tolerance +/- 5mm on headbox & slatrod.
All dimensions are in (mm). If installed in ceiling always allow for removal for servicing.

ARCHITECTS SPECIFICATION

The projection screen shall be an Australian made Screen Technics ElectriCinema Type B model _____with Hi Contrast Grey Black Backed Fibreglass surface and shall be located where indicated on the plans.

Installation shall be done in accordance with the manufacturer's instructions



AUSTRALIA

22-24 Suttor Road

Moss Vale NSW 2577

+61 2 4869 2100

NEW ZEALAND

44 Mahana Road

Te Rapa, Hamilton

+0800 022 821

screeentechnics.com.au • info@screeentechnics.com.au