

A man in a white shirt is smiling and looking at a large format printer in an office setting. The printer is printing a large architectural drawing. In the background, a woman in a purple shirt is working at a desk, and another man is visible at a computer workstation. The office has large windows and modern decor.

# LARGE FORMAT *PRINT* **SOLUTIONS**

Large Format Print Solutions for CAD

**Canon**

*no one sees print like you*

# FOR COMPUTER AIDED *DESIGN* AND GEOGRAPHICAL INFORMATION SYSTEMS **MULTIFUNCTIONAL LINE-UP**

Print big with style! Canon Large Format Printers for CAD or GIS. Render the finest lines and the most precise graphics with Canon's superb range of Large Format Printers for Technical Environments.

## Big benefits with Canon

We have been working with CAD & GIS companies for years, developing new solutions to fit their changing needs.

With fast print speeds and our 5 colour reactive ink technology we enable you to generate prints with smooth curves, fine lines and detailed text and images with ease.

## The range

For true print flexibility, Canon offers a wide range of Large Format Printers for the CAD & GIS market, developed to fit your individual needs, offering 24" (A1) - 44" (B0) with speeds up to A1 in 24 secs & A0 in 45 secs\*. Each device is easy to operate and designed to reduce your total cost of ownership, as well as offering full support for CAD applications with HP-GL/2 and HP-RTL compatibility, ensuring a seamless introduction into your CAD or GIS environment.

Technical perfection for:

- Electronic Design Automation (EDA)
- Geographical Information Systems (GIS)
- Mechanical CAD
- Architecture
- Engineering
- Construction



iPF605



iPF610



iPF680



iPF685

24"

# WHERE **PRECISION** IS PARAMOUNT

There's no room for error in the type of work you do. That's why you need a Large Format Printer that's designed specifically to produce the finest lines, smoothest curves and most striking graphical representations attainable.

## Accurate and high quality printing

Canon's 5-colour dye/pigment reactive ink system gives the results you need using a wide colour gamut and with new magenta ink, reds are even more vibrant. Fine lines, small text and highly detailed graphics are produced with incredible accuracy and sharpness. 1200 dpi rendering and a minimum line width of 0.02mm is consistently achieved with an ink placement precision of just  $\pm 0.1\%$ .

## Productive printing

The Canon CAD & GIS range of products can print at up to A1 in 24 secs and A0 in 45 secs\*\*, for maximising productivity. This combined with the high capacity "hot swap" ink tanks\*\*\* that can be changed quickly without stopping the printer, and the dual roll capability on the iPF840 and iPF850 make them ideal for printing large runs. The entire Canon range also comes with borderless printing to save you time on finishing.

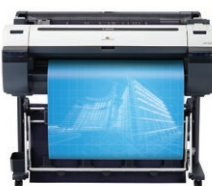
## Enhanced usability

Many users within the CAD & GIS market are not printing professionals. The Canon CAD & GIS range has been designed to be easy to use and to deliver the best results with minimum effort. The front-loading paper system means you can change paper easily, even when machines are installed in a tight space or against a wall. The latest models have a new stylish compact design, a simple front-loading delivery system and can automatically stack up to 20 A1 (iPF680 & iPF685), 20 A0 (iPF780 & iPF785) prints or 100 A0 sheets on the highly productive iPF850. Canon has also improved its intuitive operator panel with operator friendly features, as well as adding features to store media settings, detect media mismatches and a print timer to tell you the length of time each print takes.

Fine lines, small text and highly detailed graphics are produced with incredible accuracy and sharpness.



iPF780



iPF785



iPF830



iPF840



iPF850

36"

44"

# RELIABLE PERFORMANCE FOR ADDED PEACE OF MIND

Technical perfection for Electronic Design Automation (EDA), Geographical Information Systems (GIS), Mechanical CAD, Architecture, Engineering and Construction.

## Economical and reliable

As you would expect from Canon, reliable performance is a given and for added peace of mind our imagePROGRAF printers come with a printhead warranty. Should you buy a Canon service pack, then the printhead is covered for the life of the service contract\*. All CAD & GIS models also come with an Economy mode for low cost prints, reducing ink consumption by approximately 50% when compared to conventional draft mode. Canon has designed an accounting package to track the cost per print to help manage expenditure whilst Canon's eMaintenance package (as used on Canon Office and Professional products) helps customers monitor machine performance, track the lifetime of parts and order consumables.

## For all your CAD/GIS applications

The Canon CAD & GIS printers support the common languages used in your market for seamless integration with the way you work. HP-GL/2 and HP-RTL are supported, and an HDI driver is also included for AutoCAD. Architects, engineers and construction firms can produce plans in exceptional detail with precise line rendering. Mechanical CAD engineers can create photorealistic visualisations of their plans in applications such as AutoCAD, Mechanical Desktop or Pro/Engineer and bring them to life quickly with exceptional quality on media up to 44". GIS specialists can render complex "what-if" scenarios using maps, seismic analysis data or images from satellites.

Even with the huge file sizes generated, the entire line-up can effortlessly handle your demands with accurate, predictable colour and exceptional line rendering. Reprographics houses and print for pay offer fast printing at the highest quality, to print CAD & GIS documents on demand for their customers. The entire 5-colour range is ideal for this market with the ability to print large runs quickly, with outstanding detail and quality. For continuous printing, the iPF825 is perfect with its dual roll capability.



# FOCUSED ON YOUR BUSINESS TO MAKE A **BIG DIFFERENCE**

The innovative features included within the CAD & GIS range have been designed to help you bring your best work to light. Look forward to exceptional accuracy, print after print consistency and highly productive performance.

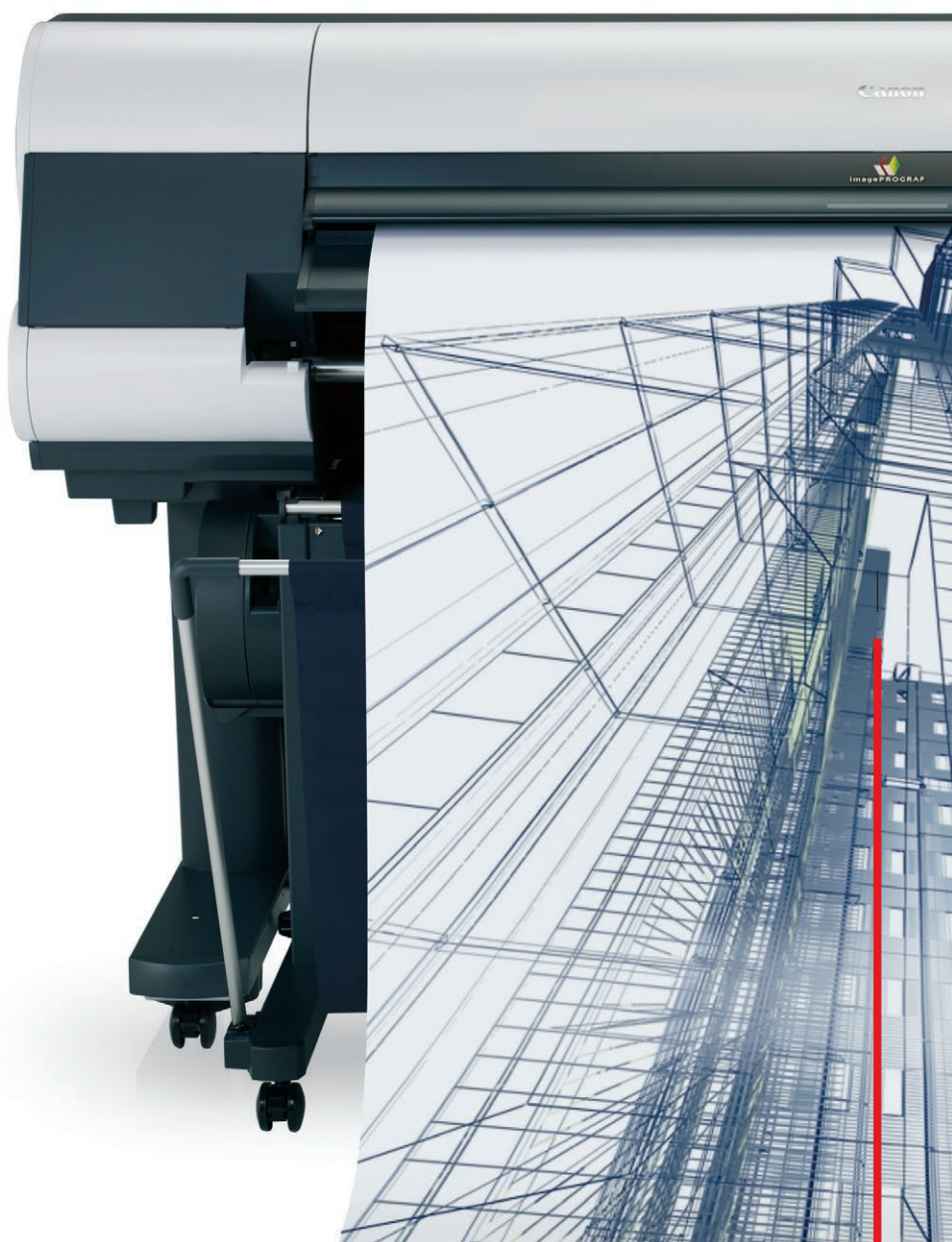
## Print with FINE technology

To deliver faithful image expression, ink droplets must be extremely small and precisely distributed. When droplets become microscopic however, image quality is affected by problems such as uneven droplet size and placement on the paper. Conventional printing systems compensate by making multiple passes for each line but this adds significantly to print times. Canon's FINE (Full Photolithograph Inkjet Nozzle Engineering) overcomes this problem without needing to make multiple passes, producing bidirectional printing at incredible speeds. An innovative ink-nozzle manufacturing method results in precisely uniform droplets and outstanding photoquality print performance.



## L-COA for unbeatable productivity

Providing the optimal balance between high productivity and high quality is Canon's Large Format Printer Common Architecture (L-COA). L-COA helps your printer carry out the most complex print jobs – where files can often exceed 200MB – with ease.



# INNOVATIONS THAT **HELP** YOU **WIN** NEW BUSINESS

## Reactive ink technology

Canon's CAD & GIS range features a 5-colour dye/pigment reactive ink system designed specifically for CAD and GIS applications. This unique formulation improves ink adhesion to the media and minimises colour "bleeding". When black ink intersects with a coloured area (for example, words printed on a coloured background), the black and cyan inks induce a chemical reaction that prevents black from bleeding into the colours. This means clearer text, smoother curves and sharp fine lines – even on uncoated technical papers. Using reactive inks also improves scratch and marker resistance so prints are far more durable than those printed with conventional dye inks.

## Smooth graduations across all media

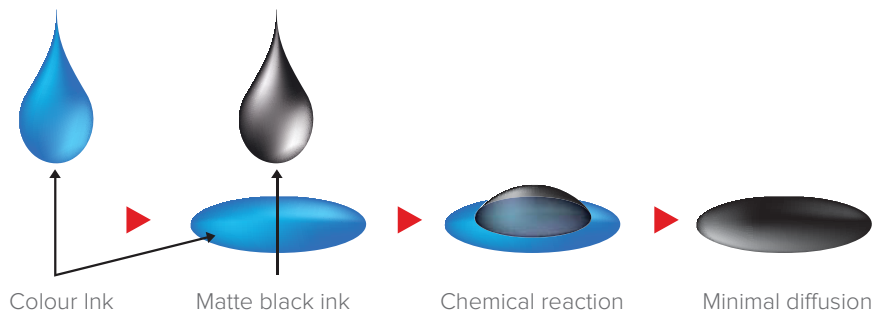
The CAD & GIS range utilise two types of black ink for the best possible results on all types of media. For photo-type media, a black ink (BK) is used and for high contrast prints on matte paper, a matte black (MBK) is used. This process ensures smooth graduations across every media type and is highly efficient as the relevant ink is automatically selected for each media type.

## Effortless control

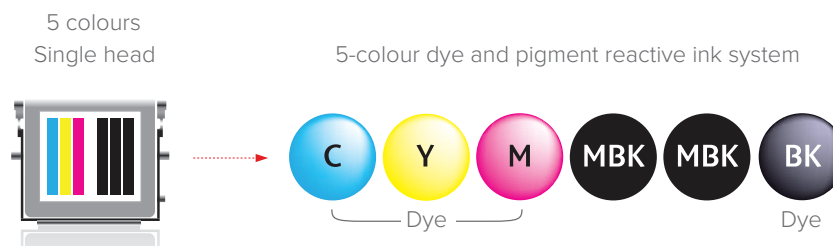
Ultimate control comes courtesy of Canon's flexible imagePROGRAF Printer Driver.

An "easy mode" allows you to use Canon's pre-defined settings for speed and simplicity of use. Switch to "advanced mode" however and you can adjust drying times, colour settings and manage your own ICC profiles. Page set-up provides pure flexibility allowing customised page sizes if required and a best-fit option for each media is selectable. Select the watermark feature and you can protect the rights of your images. For enhanced workflow, pre-defined settings can be created using hot folders. A maintenance facility allows you to adjust the media feed, do a nozzle check, clean the print heads, check the print queue and carry out other timesaving procedures.

### Reactive Ink Technology



### 5-colour Ink System



# SOLUTIONS DESIGNED EXPAND YOUR OPPORTUNITIES

When you work with Canon, you work with a company that carefully considers how you run your business. That means people who understand how you operate, products designed to get the job done and added value solutions to maximise your business opportunities.

## Create incredible posters

It's also possible to use your printer for entirely different means. Opt for Canon's PosterArtist software and you can use it to create incredible borderless posters, signs and displays. PosterArtist also gives you the ability to print Microsoft documents, such as Excel spreadsheets or posters, in just a few simple steps.



## Solutions Partners

Canon works closely with our Solutions Partners to provide customers with the best CAD/GIS solutions available whether that is large format scanning, software or RIP. The Canon range of large format printers is compatible with RIPs and software developed by most major vendors which means you can take advantage of exceptional print quality and productivity without changing your existing workflow. By combining a scanner with a Canon LFP we can offer customers a scan to print and copying solution.



**For information and services**

Canon Australia Pty Ltd 1300 363 440  
Canon New Zealand Ltd 0800 222 666

[canon.com.au](http://canon.com.au)  
[canon.co.nz](http://canon.co.nz)



Some images are simulated for clarity of reproduction. All data is based on Canon's standard testing methods. This leaflet and the specifications of the product have been developed prior to the date of product launch. Final specifications are subject to change without notice. ™ and ®: All company and/or product names are trademarks and/or registered trademarks of their respective manufacturers in their markets and/or countries.

Canon recommends you use Canon Media for the best results. Please check media (paper) compatibility list to see which variety of paper/media is recommended.

