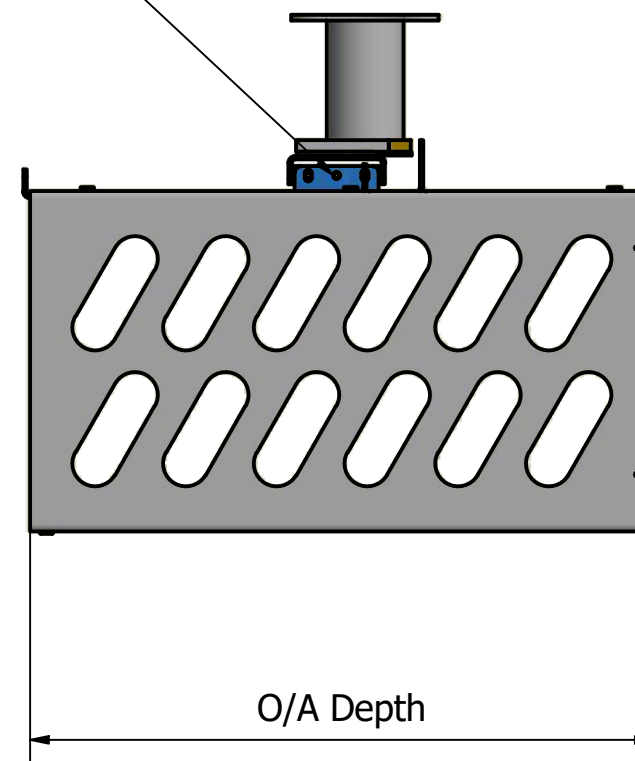
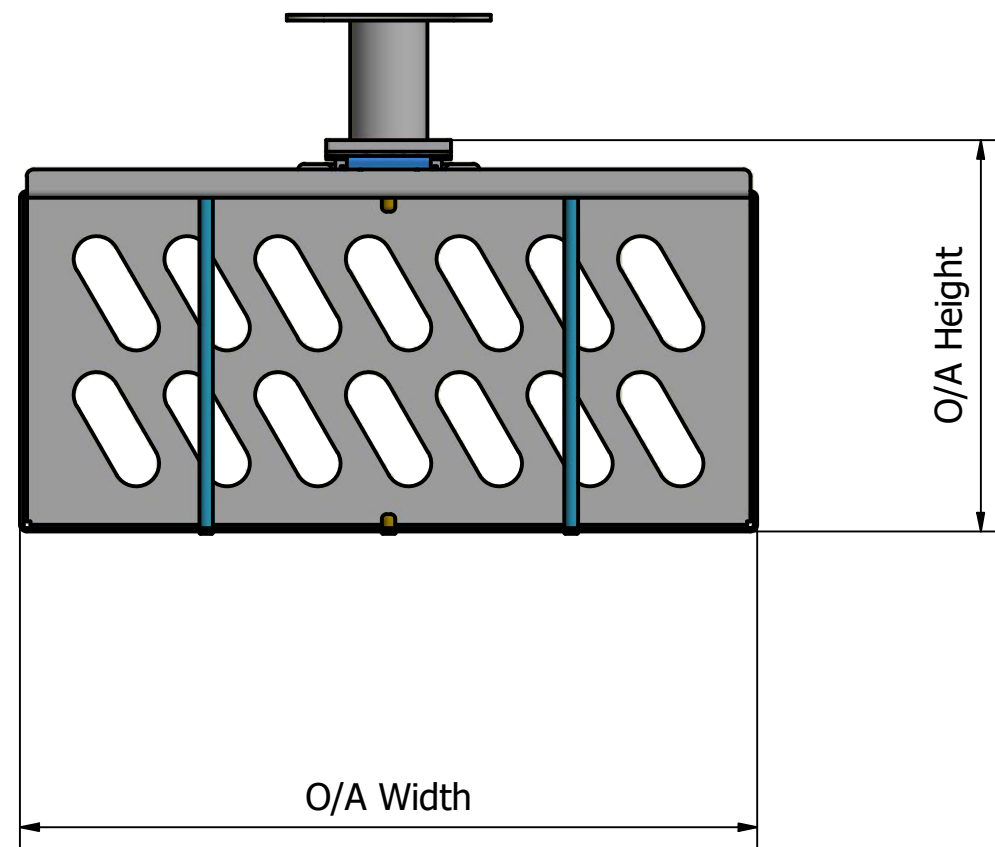



Tilt mechanism allowing up to 5° of tilt front and back left and right



Maximum Projector Height, Width and Depth is 100mm from the overall dimensions to allow for airflow

 Ph: 612 4869 2100 Email: info@screeentechnics.com.au	Interfit Standard Security Cage		
	Date 17/02/2023	Part Number	Rev

Interfit Standard Security Cage

Model No	Overall Dimensions W - D - H	Projector Dims Max W - D - H
1426000AB	400 x 400 x 250	300 x 300 x 150
1426000AW	400 x 400 x 250	300 x 300 x 150
1426000BW	500 x 400 x 250	400 x 300 x 150
1426000BB	500 x 400 x 250	400 x 300 x 150
1426000CW	600 x 500 x 300	500 x 400 x 200
14260000CB	600 x 500 x 300	500 x 400 x 200
1426000DW	650 x 550 x 300	550 x 450 x 200
1426000DB	650 x 550 x 300	550 x 450 x 200
1426000EW	650 x 650 x 350	550 x 500 x 250
1426000EB	650 x 650 x 350	550 x 500 x 250
1426000FW	700 x 600 x 350	600 x 550 x 250
1426000FB	700 x 600 x 350	600 x 550 x 250
1426000GW	600 x 700 x 350	500 x 600 x 250
1426000GB	600 x 700 x 350	500 x 600 x 250

All Dimensions are in mm

Finish: Black or White

Standard Pole Length: 1200mm (up to 4000mm at extra cost)

Options:

Custom sizes available

I Beam Mounting Plate